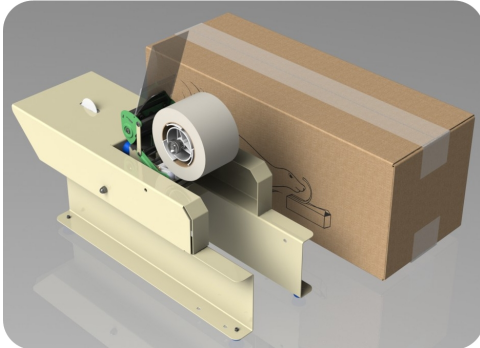


THE NEW **RAPID SEALER**



Brings Automatic Carton Sealing to Pick & Pack Lines

Specifications

Length: 24"

Width: 8"

Height: 17"

Weight: 15 lbs

Max Tape Roll Length: 220 yds

Tape Roll Width: 3"

Box Widths: 6" and Up

Box Lengths: Infinite



PAT. No. 7,726,099

No Wasted Time!
No Wasted Space!
No Wasted Tape!
No Wasted Money!

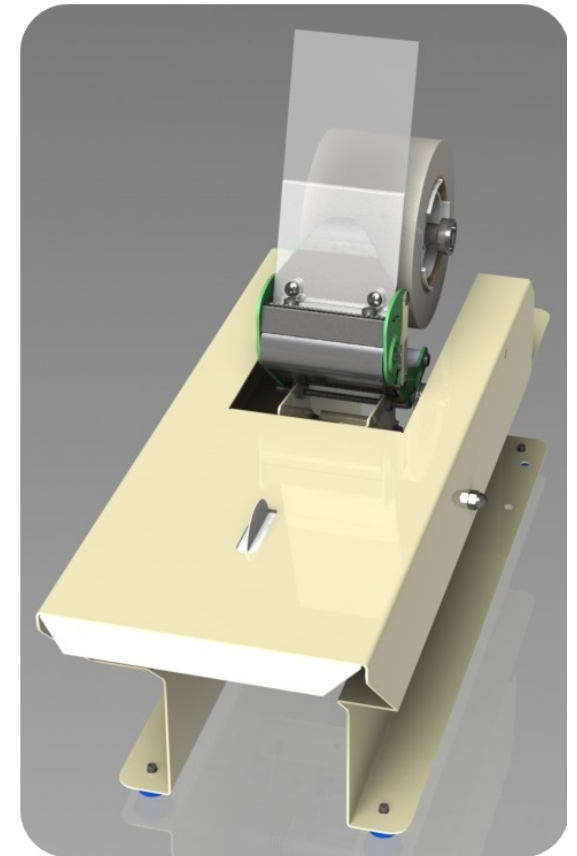
Just place the Rapid Sealer on a convenient table or counter and get perfectly sealed cartons as fast as the operator can pass them over the tape head, for less than the cost of most modern tape dispensers.

Rapid Sealer can also be front or side-mounted to a table or counter via provided mounting holes for packaging operations where space is at a premium.

BETTER
CASE SEALERS, LLC
WWW.RAPIDSEALER.COM

8328 Martingale Lane
Novelty, Ohio 44072
Phone: (800) 722-8002
Fax: (440) 338-4046
E-mail: sales@rapidsealer.com

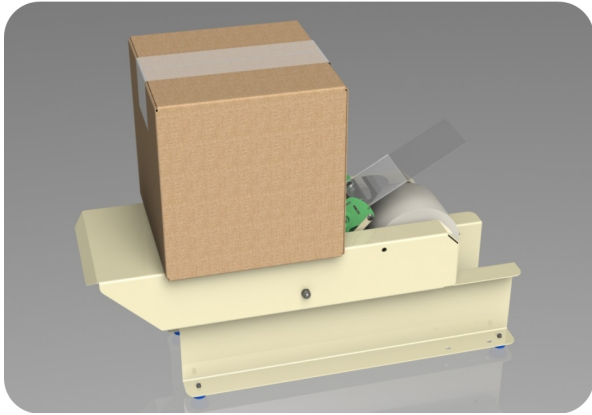
*The Fastest, Simplest,
Most Economical Way to
Properly Seal Cartons*



PAT. No. 7,726,099

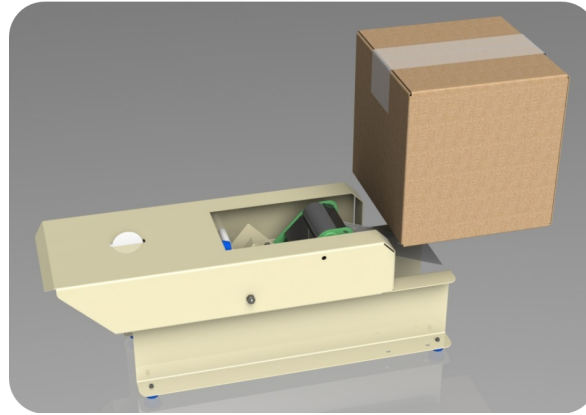
WWW.RAPIDSEALER.COM

Slide...



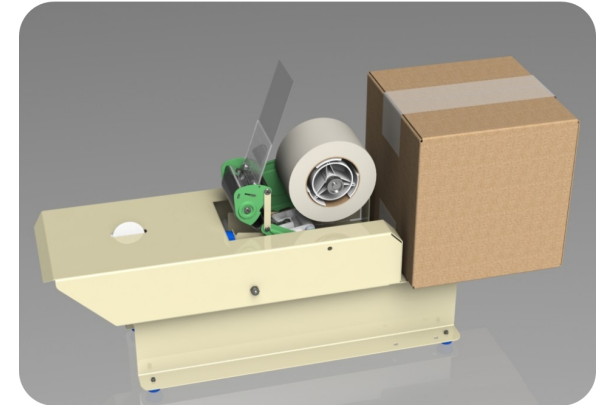
Slide the carton over the sealing head. The centering tab and spring tension on the tape head ensure a perfect seal every time.

Stop...

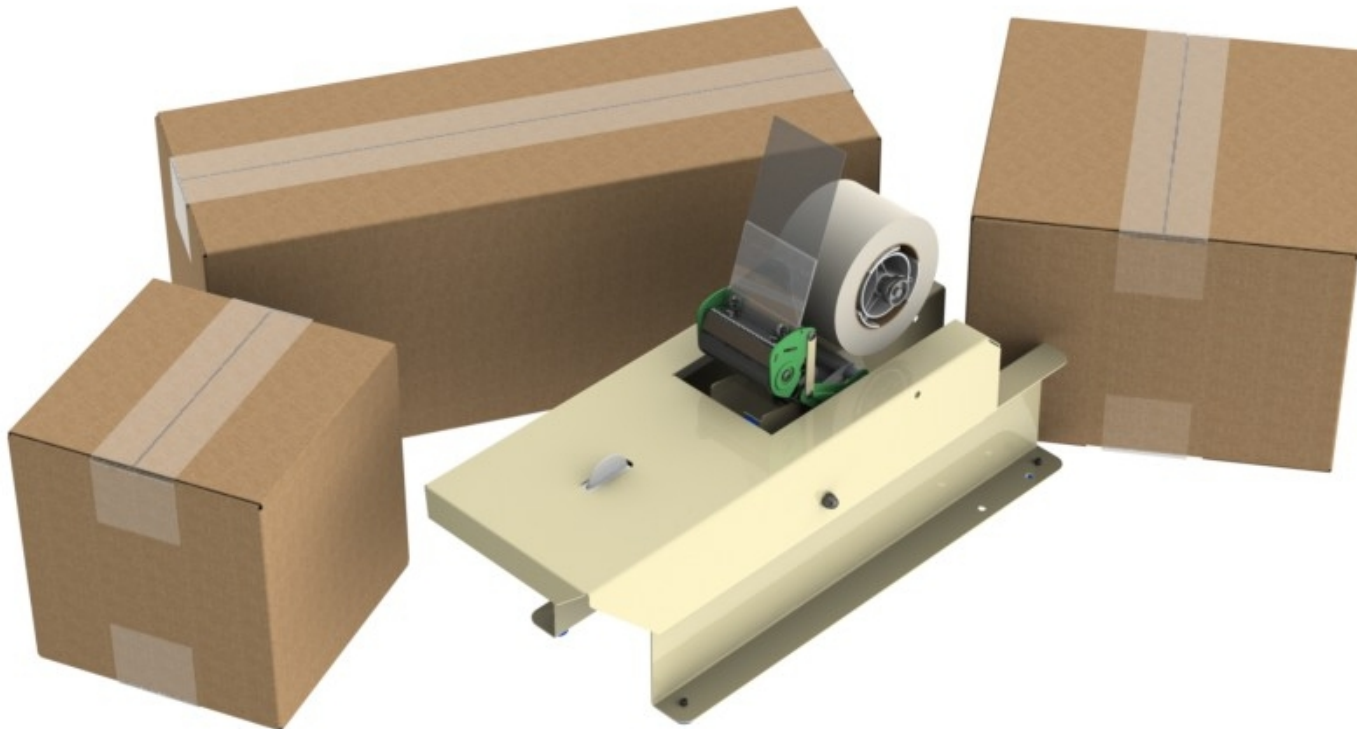


Stop the carton when it is even with the drop-off ledge on the rear of the machine. An angled surface lets the operator know when proper positioning is achieved.

Drop...



Drop the carton onto the lower level of the machine, triggering the cutting action. The head returns to its starting position as the wiper blade completes the seal.



**BETTER
CASE SEALERS, LLC**
WWW.RAPIDSEALER.COM

8328 Martingale Lane
Novelty, Ohio 44072
Phone: (800) 722-8002
Fax: (440) 338-4046
E-mail: sales@rapidsealer.com
