

C25 Tape Machine

Spare Parts Manual



FEATURES

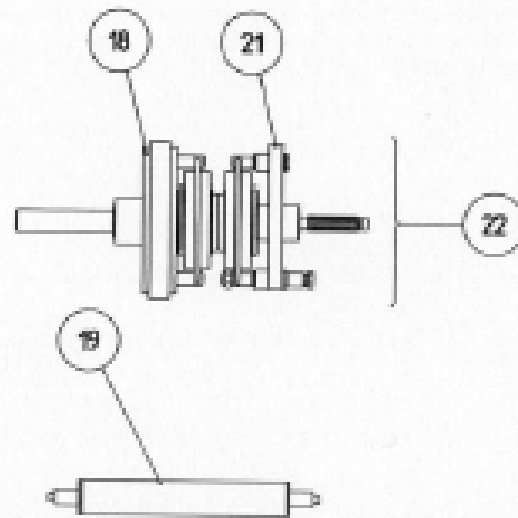
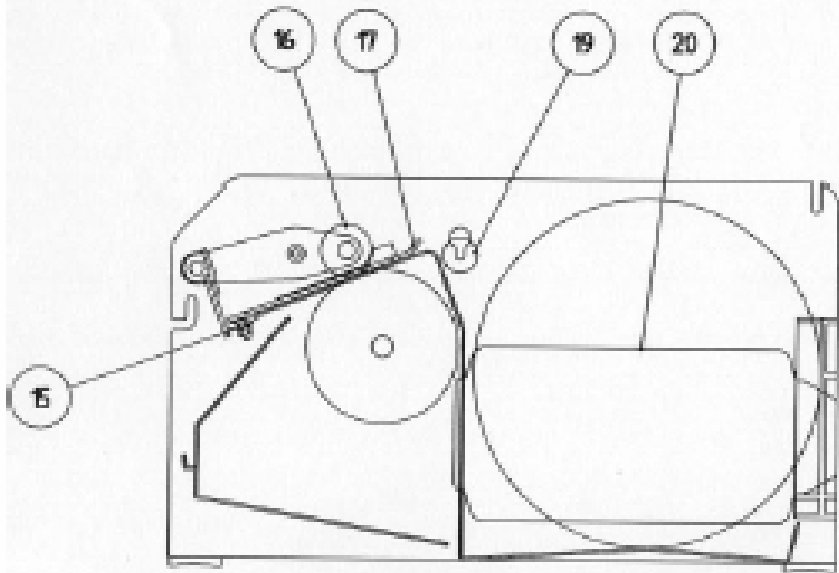
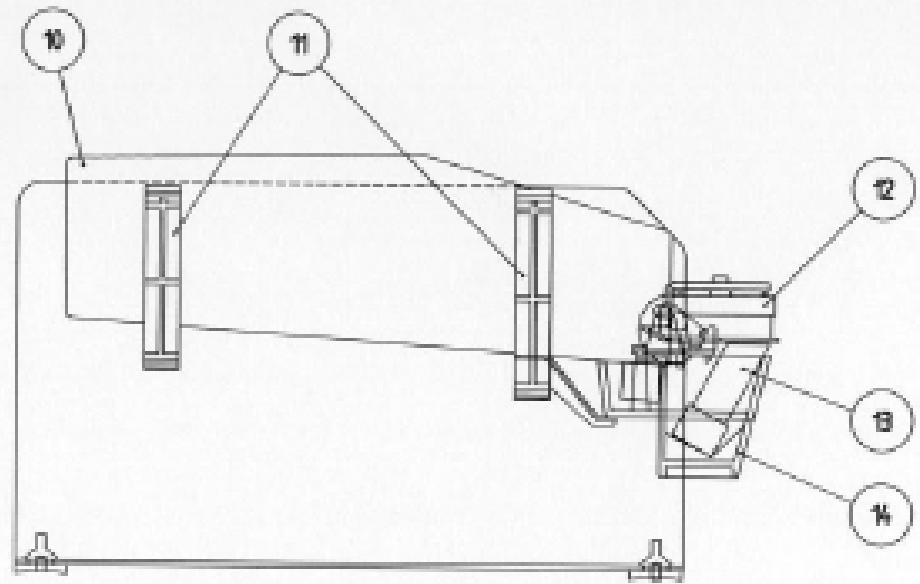
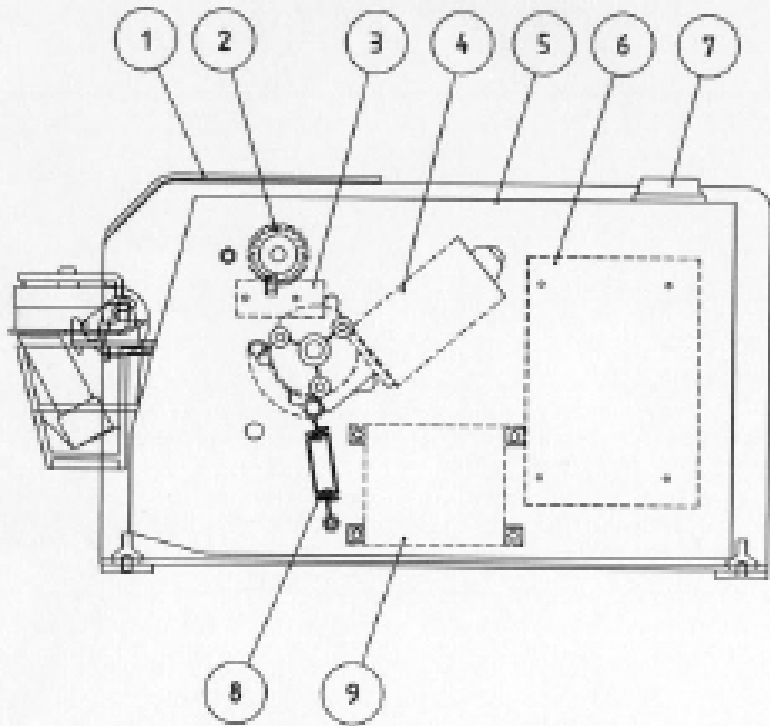
- All DC running: motor, top heater and control circuits - 24 Volts
- New water proof keyboard panel
- Additional easy to use heater switch
- Tape Cutting is electronically controlled
- C25 is compatible with various tapes
- Varnished steel sides, burnished and zincd parts protect against corrosion
- Rugged and reliable with low maintenance costs
- Designed according to EEC rules

Cyklop Packaging Corp.
10625 Texland Blvd.
Suite 200
Charlotte, NC 28273

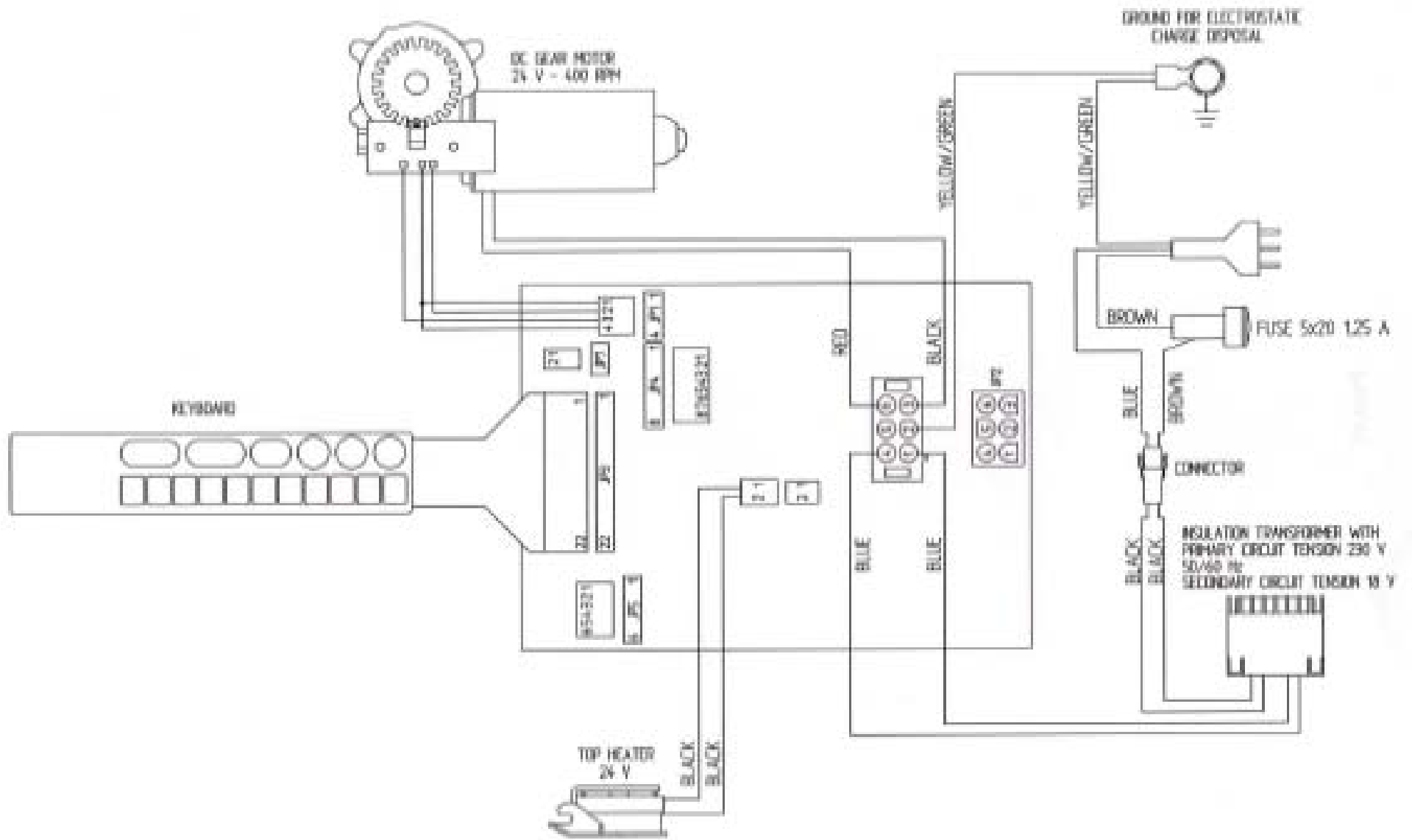
POS	Part Number	Description	Quantity
1	74007159	Cover with Hinge	1
2	74002697	Encoder	1
3	74007166	Reader	1
4	74007153	Motor reducer	1
5	74008745	Side cover w/keyboard cm.	1
5	74008746	Side cover w/keyboard inches	1
6	74008738	PC Board inches	1
6	74008747	PC Board 115v	1
8	74008721	Spring Kit (3)	1
9	74008756	Transformer 230v	1
9	74008755	Transformer 115v	1
9	74008757	Transformer 100v	1
10	21000013	Water Reservoir	1
11	74005586	Bottle holders (2)	1
12	74008709	Top Heater 24v	1
13	21005507	Brush	1
14	74003632	Complete water tank w/out Tank Heater and w/out Brushes	1
15	74007169	Knives (2)	1
16	74007170	Rolls (2)	1
17	74005386	Upper paper plate	1
18	74007171	Wheel w/rubber	1
19	74005359	20 diam. Roll	1
20	74007172	Roll guide plates (2)	1
21	74007137	Cam	1
22	74007164	Complete Shaft	1

Printer Parts

POS	Part Number	Description	Quantity
1	20292557	Sheet Metal Screw	4
2	20292502	Magnet	2
4	20292513	Frame	1
5	20012220	Self-Ink Roller	1
5	20292499	Ink Roller	1
6	20291761	Print Roller	1
6	20292502	Print Roller	1
7	20291921	Print Roller Rubber Ring	2
8	20292148	Ink Roller Shaft	1
9	20292353	Extension Spring	2
10	20291909	Print Roller Shaft	1
11	20290204	Snap Lock	1
12	21008602	Hex Screw	2
13	20292397	Roller Shaft	1
14	20292400	Adjustment Ring	2
15	20292411	Roller	1



C25 Schematic



C25 Electric Schematic