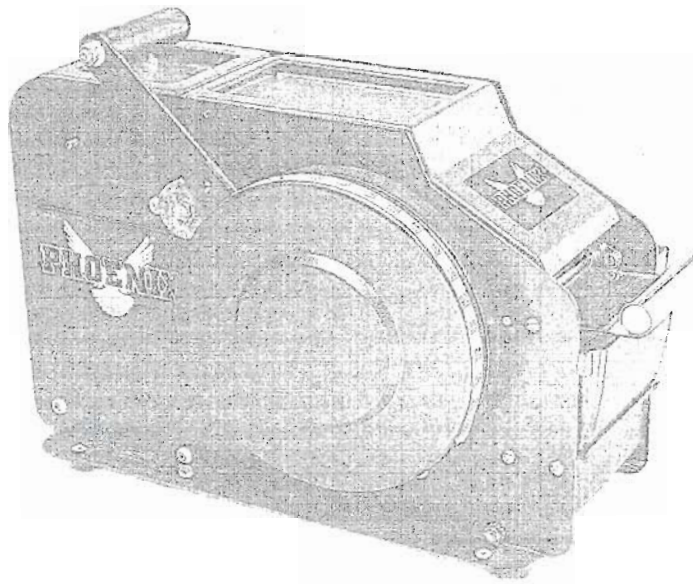
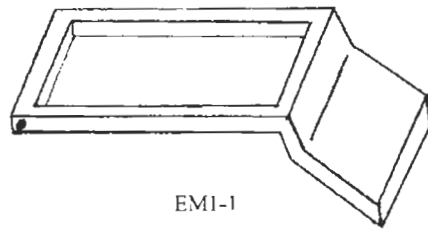


# PHOENIX ® M1 PARTS BOOK

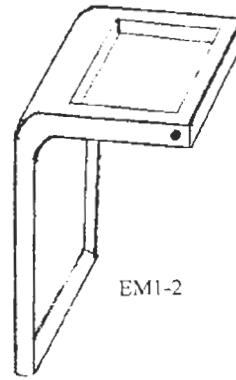


---

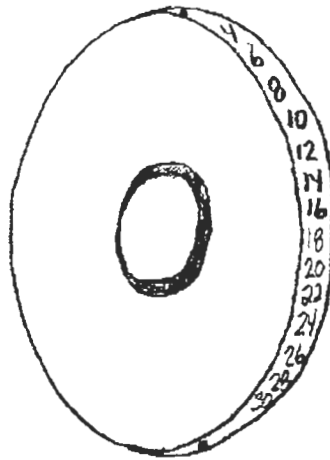
Phoenix ® M1 Manual Gummed Tape Dispenser



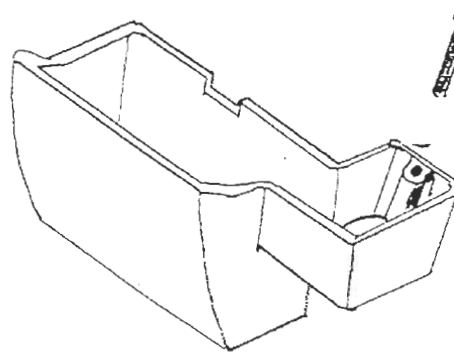
EMI-1



EMI-2



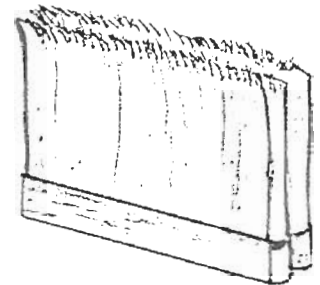
M1-4



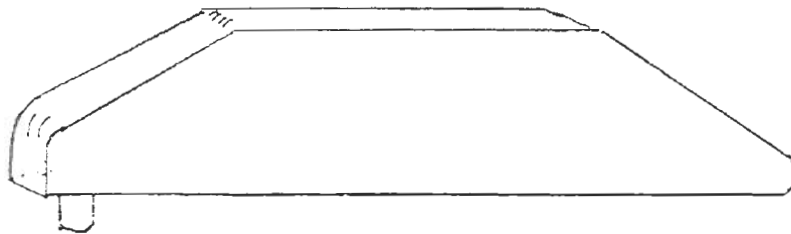
EM2-1



EM2-1SC



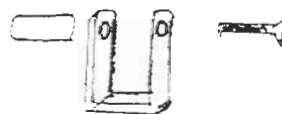
M2-3



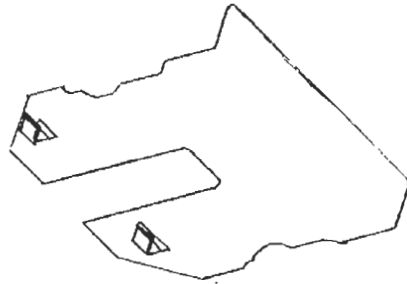
EM2-2

EM2-4SPACER

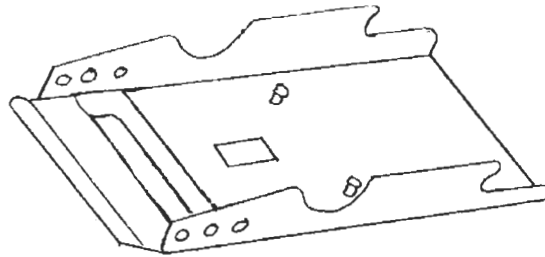
EM2-4SCREW



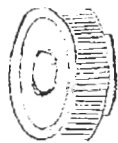
Not Shown EM2-4K Water Bottle Retrofit Kit



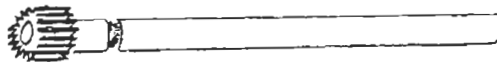
EM3-1



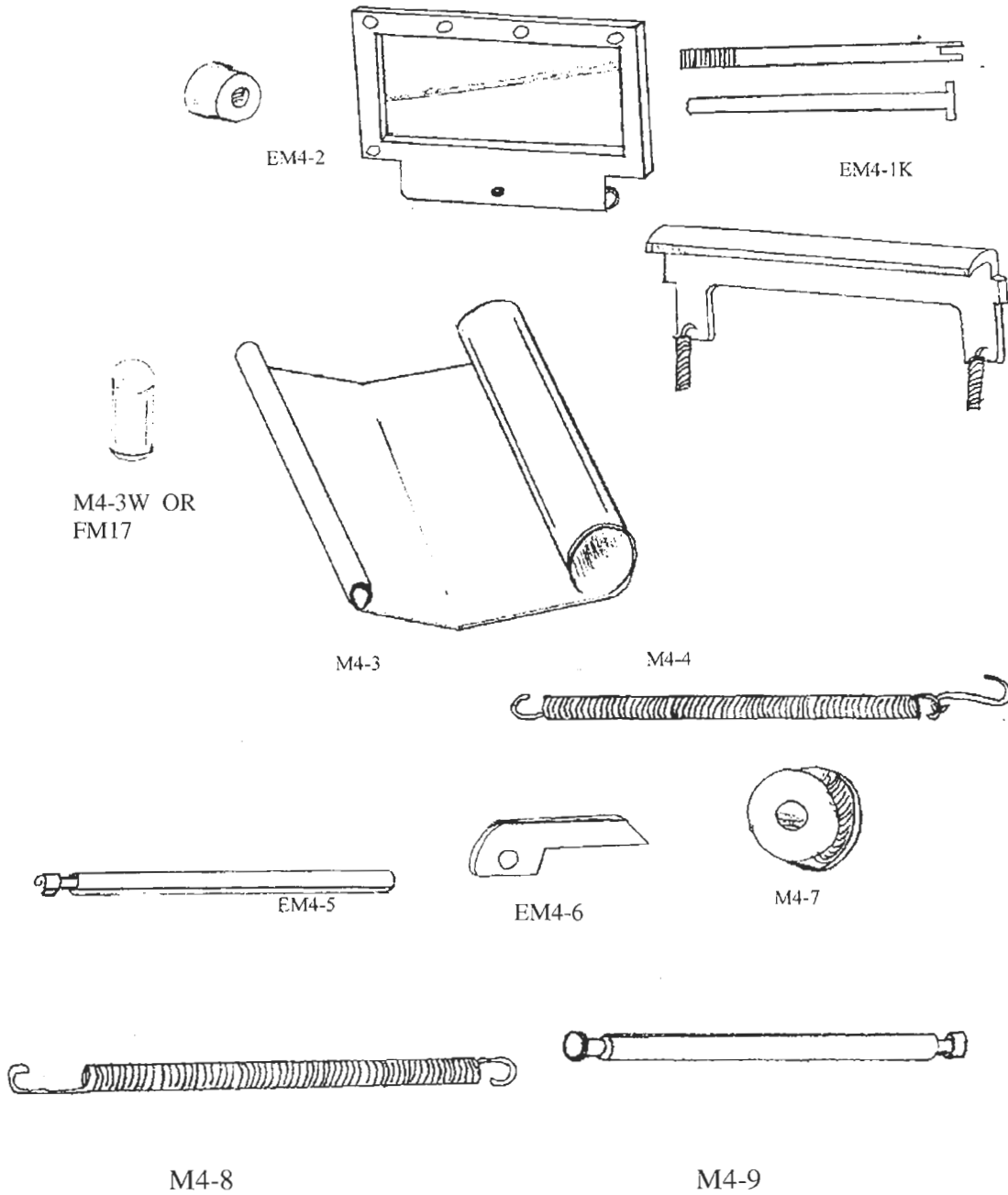
EM3-2

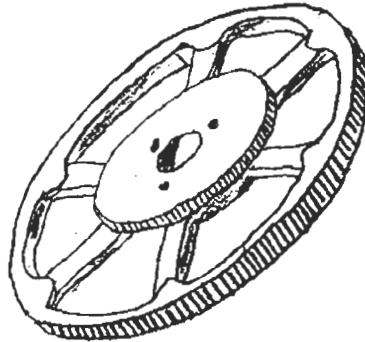


M3-3

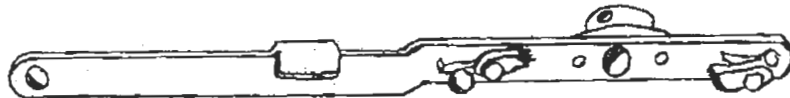


M3-4





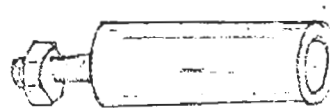
M5-1



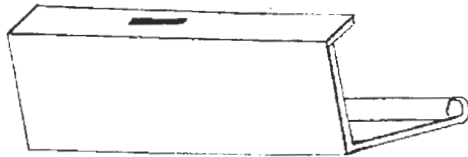
M5-2



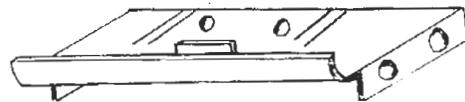
M5-3



M5-4



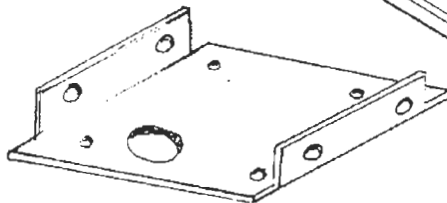
EM6-1



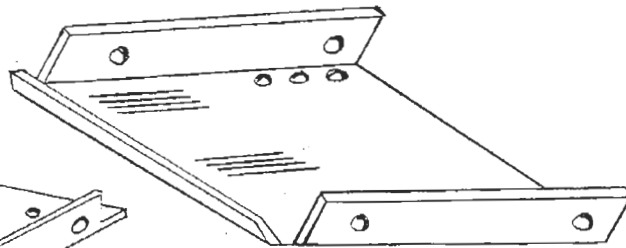
EM6-2



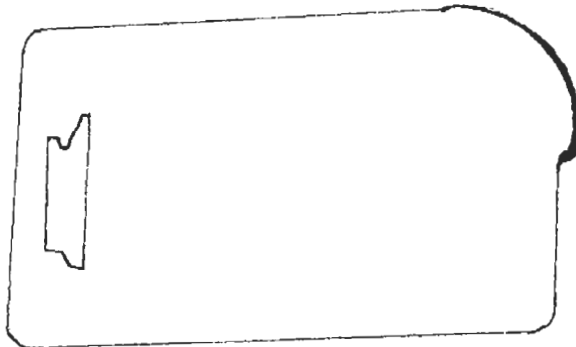
EM6-3



EM6-5



EM6-4



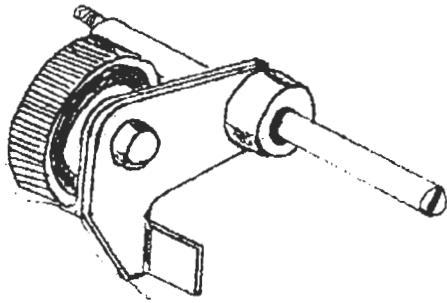
M6-6



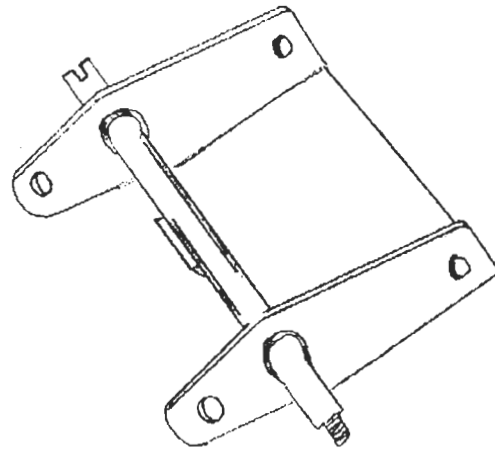
M6-7

Not Shown EM6-8 Rubber Feet (Sold in Sets of 4)

M7-1



M7-2



EM7-3



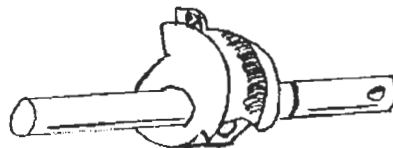
M7-4



M7-4PIN



M7-5



PART NUMBER	DESCRIPTION	COMPARES TO BP PART #
EM1-1	FRONT COVER - BLACK	N/A
EM1-2	REAR COVER - BLACK	N/A
M1-3	DRUM COVER	N/A
M1-4	SCALE	N/A
E1CARTON	CARTON FOR E1 OR M1	N/A
EM2-1	WATER TANK	N/A
EM2-1N	NUT ON WATER TANK	FM118
EM2-1SC	NUT & SCREW - WATER TANK	N/A
EM2-2	WATER BOTTLE	FF6100
M2-3	MOISTENING BRUSHES	PW107AK
EM2-4	BRACKETS	FF6110. FF6120
EM2-4K	RETROFIT KIT	FF6150
EM2-4SC	SCREW FOR BRACKET	N/A
EM2-4SP	SPACER FOR BRACKET	N/A
EM3-1	TAPE PLATE	FM12EL
M3-2	LOWER TAPE PLATE-ALUMINUM	FM11AX
M3-3	FEED WHEEL	PW77X
M3-4	FEED WHEEL SHAFT	FM49X
EM4-1K	SHEAR KIT	FM20BXK
EM4-2	BRASS ROLLERS	FM18
M4-3	PRESSURE PLATE WITH WEIGHTS	FM16X
M4-3W	WEIGHT ONLY	FM17
M4-4	SPRING	FM33AX
EM4-5	PIVOT ROD	E580SA
EM4-6	RETAINER	E580RA
M4-7	WOOD ROLLER	TS324
M4-8	HANDLE RETURN SPRING	FM48AX
M4-9	PIVOT SHAFT	FM67
M5-1	MAIN GEAR	GE79X
M5-2	HANDLE ASSEMBLY	N/A
M5-3	HANDLE BUMPER	PW35A
M5-4	WOOD HANDLE KIT	FM70K
M5-5	STOP ASSEMBLY	FM110XX
EM6-1	LOWER COVER	N/A
EM6-2	TANK SHELF	N/A
EM6-3	TIE SCREW	FM61
EM6-4	TAPE BASKET	N/A
EM6-5	TIE PLATE	N/A
EM6-6	TAPE GUIDES	E554
EM6-7	TIE ROD	FM56
EM6-8	RUBBER FEET (4)	A47K
M6-10	ROLL PIN	K50CR

PART NUMBER	DESCRIPTION	COMPARES BP PART #
M7-1	LOWER FEED ASSEMBLY	FM39XXX
M7-2	CUTTER YOKE	FM26XX
EM7-3	WOOD ROLLER	FM59X
M7-4	YOKE STOP	FM108
M7-5	SHAFT	FM46
M7-6	CAM	FM47
RP1	WASHER 1/2"	N/A
RP2	WASHER 3/8"	N/A
RR1	RETAINER RING/ E RING	FM101
SC1	SCREW	TO105
SC2	SCREW	TO256
SC3	SCREW	K201F
LN1	LOCK NUT	FM75
LN2	LOCK NUT	FM91
LN3	LOCK NUT	FM98