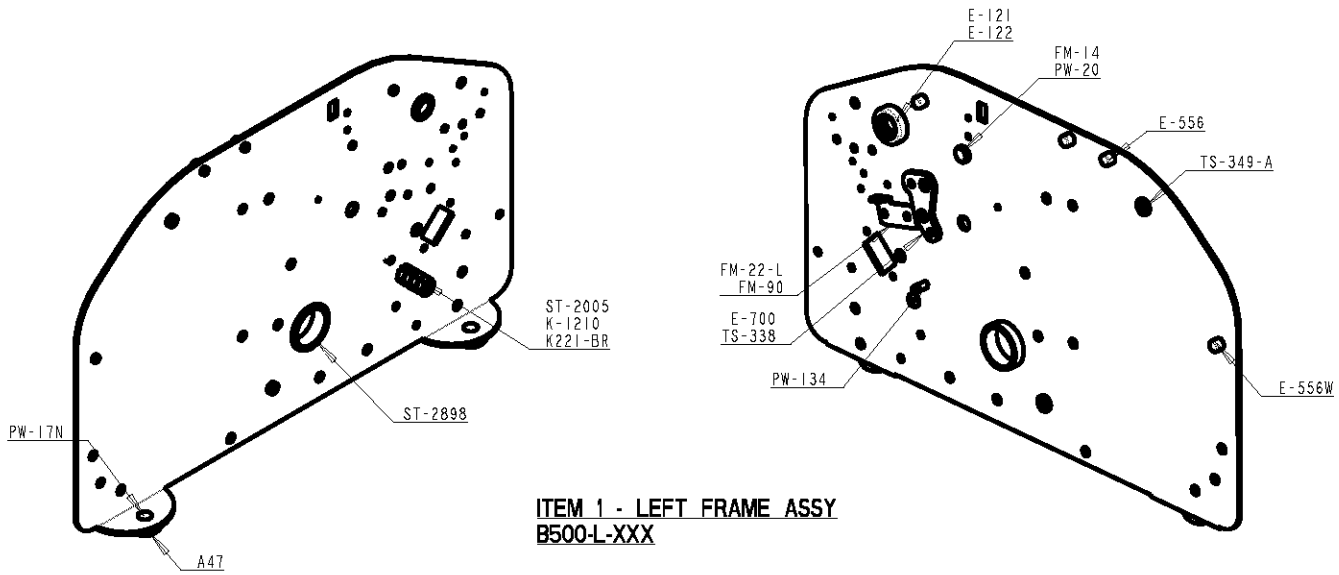


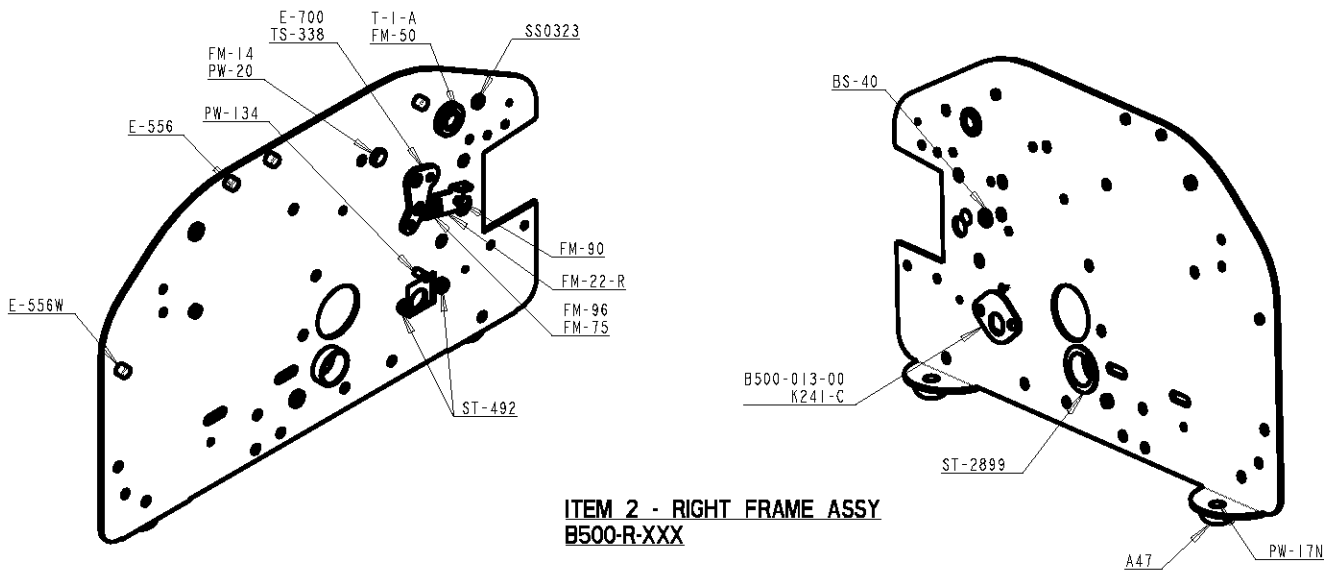
**BP500 ITEM LIST**  
**Better Packages, Inc.®**

Shelton, CT 06484

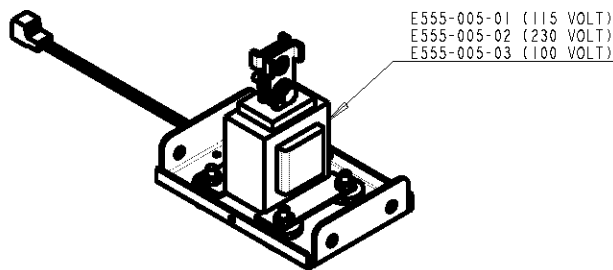




**ITEM 1 - LEFT FRAME ASSY**  
**B500-L-XXX**



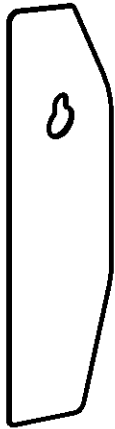
**ITEM 2 - RIGHT FRAME ASSY**  
**B500-R-XXX**



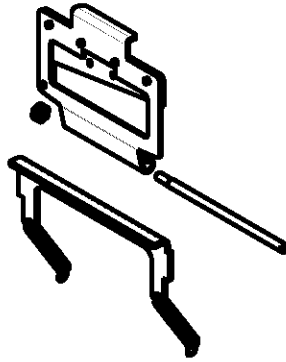
**ITEM 3 - SOLENOID SHELF ASSY**

MODEL	PART NUMBER
B500	E-550-X-01
B500M	E-550-X-02
B500J	E-550-X-03

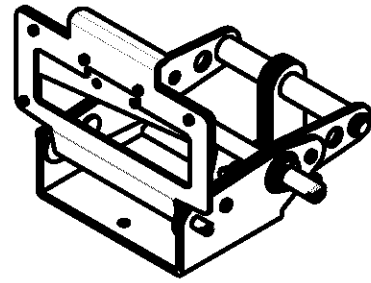
**BP500 ITEM LIST**  
**Better Packages, Inc.®**  
Shelton, CT 06484



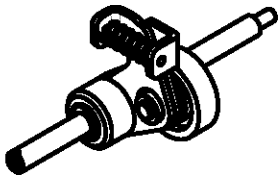
ITEM 4 - ROLL GUIDE  
B500-004-00



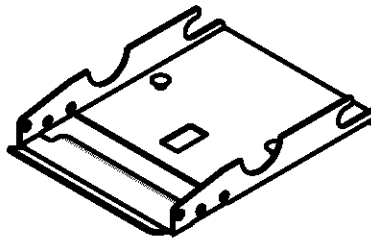
B500-031-K  
BLADE KIT, BP500



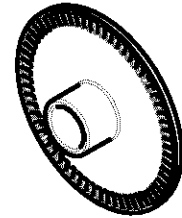
ITEM 6 - CUTTER YOKE ASSY  
B500-021-02



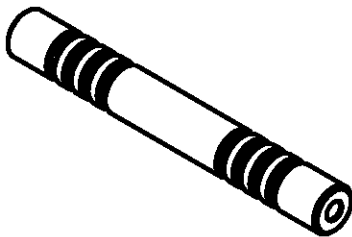
ITEM 7 - IDLER & SHAFT ASSY  
E-626-XXX



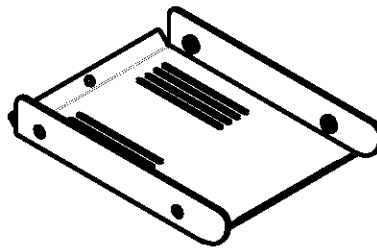
ITEM 8 - ASSY, LOWER TAPE PLATE  
FM-11-AX



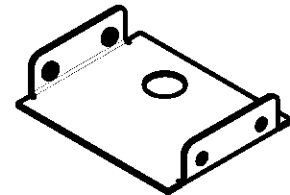
ITEM 9 - ENCODER WHEEL  
E555-150-00



ITEM 10 - SLOTTED TIE ROD  
FM-56

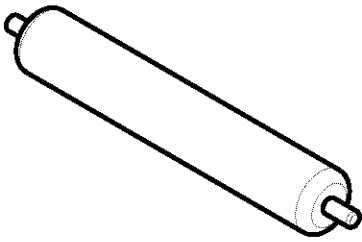


ITEM 11 - BASKET  
FM-57-X

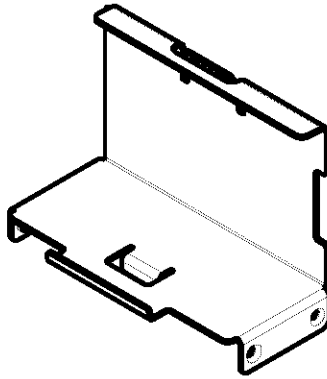


ITEM 12 - VERTICAL TIE PLATE  
FM-58-X

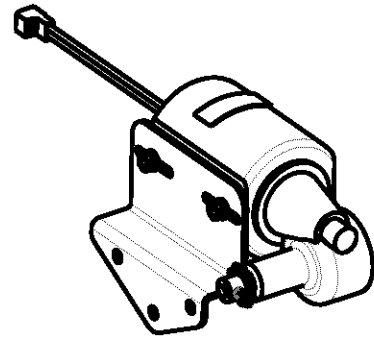
**BP500 ITEM LIST**  
**Better Packages, Inc.®**  
Shelton, CT 06484



ITEM 13 - TAPE ROLLER ASSY  
FM-59-X

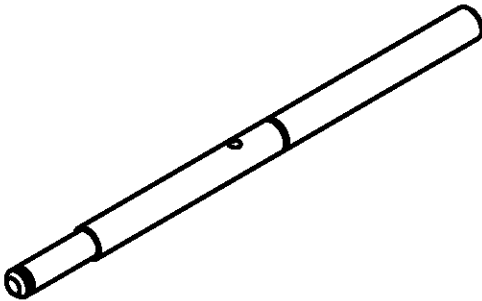


ITEM 14 - SAFETY BAFFLE  
T533-032-00



ITEM 15 - MOTOR BRACKET ASSY

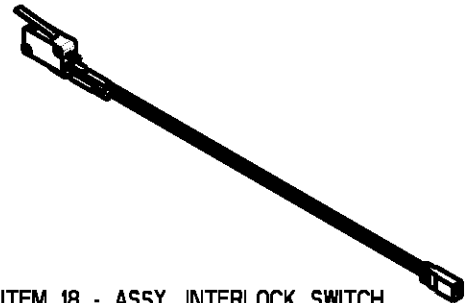
MODEL	PART NUMBER
B500	E555-044-01
B500M	E555-044-02
B500J	E555-044-03



ITEM 16 - SHAFT, FEED WHEEL  
B500-011-00



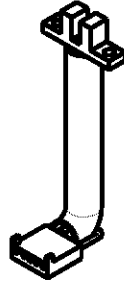
ITEM 17 - PIN, FEED WHEEL SHAFT  
EA-46P



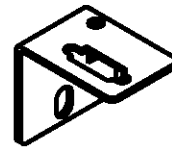
ITEM 18 - ASSY, INTERLOCK SWITCH  
B500-016-01



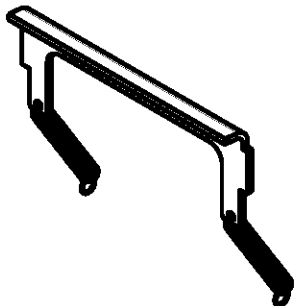
ITEM 19 - BRACKET, INTERLOCK SWITCH  
B500-007-00



ITEM 20 - ASSY, SENSOR  
B500-017-01



ITEM 21 - BRACKET, SENSOR  
B500-018-00



ITEM 22 - STATIONARY BLADE ASSY  
FM-21-X



ITEM 24 - INTERLOCK SWITCH GUARD  
B500-019-00



**BP500 ITEM LIST**  
**Better Packages, Inc.®**

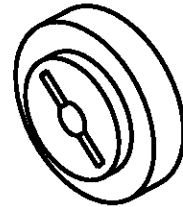
Shelton, CT 06484



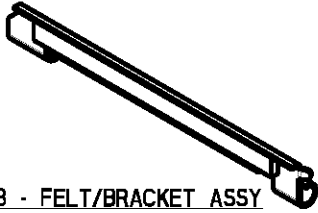
ITEM 25 - SHEAR GUIDE ROLLER, NARROW  
FM-18



ITEM 26 - COLLAR & SET SCREW ASSY  
K-37-X



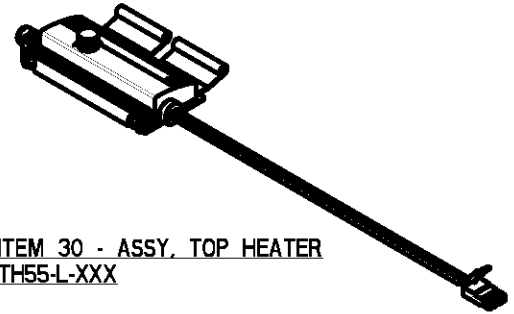
ITEM 27 - FEED WHEEL  
E555-065-00



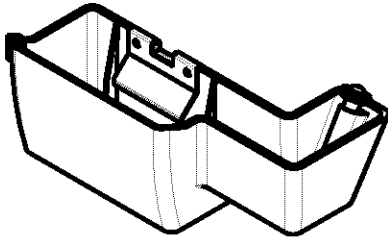
ITEM 28 - FELT/BRACKET ASSY  
SA-10-X



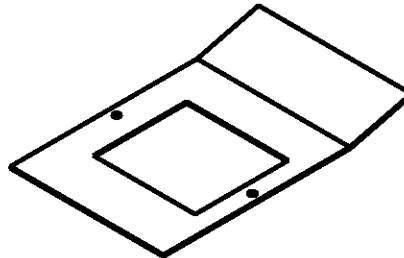
ITEM 29 - WIRE SPRING  
SA-13



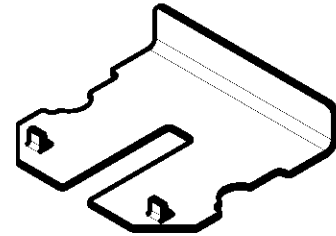
ITEM 30 - ASSY, TOP HEATER  
TH55-L-XXX



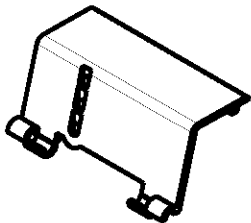
ITEM 31 - TANK ASSY  
E-561-PX



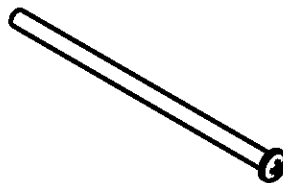
ITEM 32 - BOTTOM PLATE  
E-690



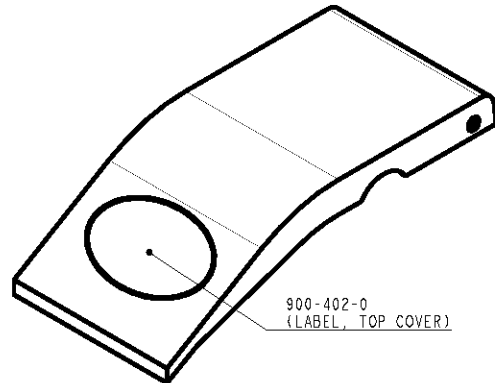
ITEM 33 - UPPER TAPE PLATE  
FM-12EL



ITEM 34 - LOWER FRONT COVER  
FM-3



ITEM 35 - TIE SCREW  
FM-61

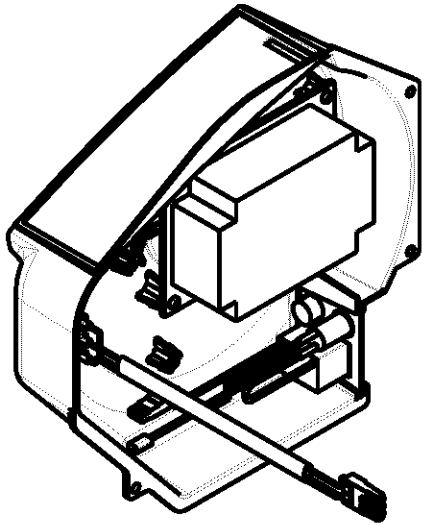


ITEM 36 - FRONT COVER ASSY  
E-582-X

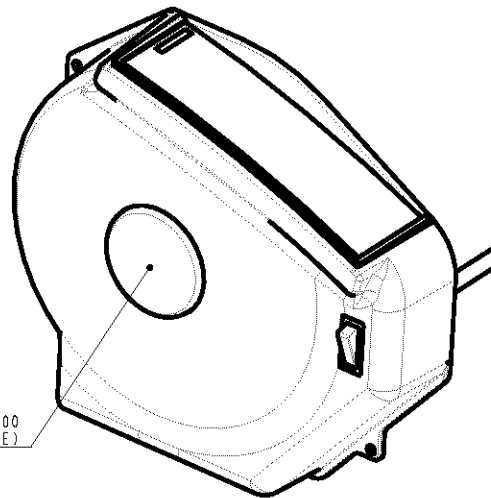
## BP500 ITEM LIST

 **Better Packages, Inc.®**

Shelton, CT 06484

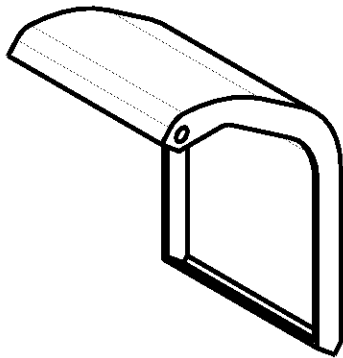


B500-012-00  
(BADGE)

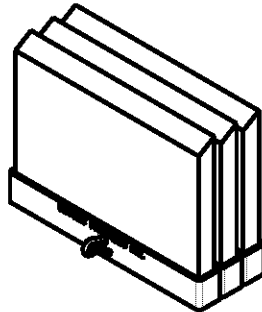


**ITEM 37 - LEFT COVER ASSY**

MODEL	PART NUMBER
B500	B500-002-01
B500M	B500-002-02
B500J	B500-002-03



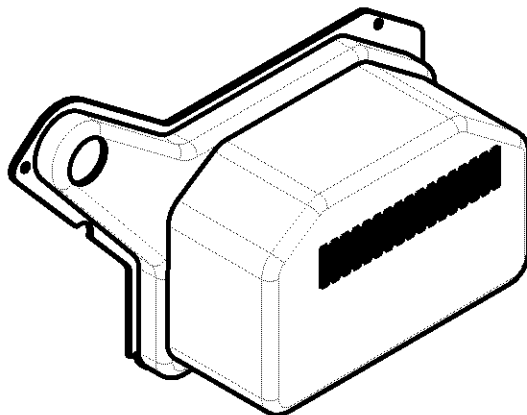
**ITEM 38 - REAR COVER**  
E-583



**ITEM 39 - BRUSH ASSY**  
E-107-X



**ITEM 40 - FEED SHAFT SPROCKET**  
ND-114-A



**ITEM 42 - MOTOR & CHAIN COVER**  
E-559



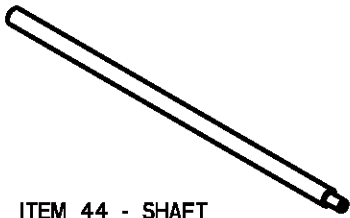
**ITEM 43 - CUTTER SPRING**  
E-585-C

**ITEM 41 - CHAIN**  
ND-116

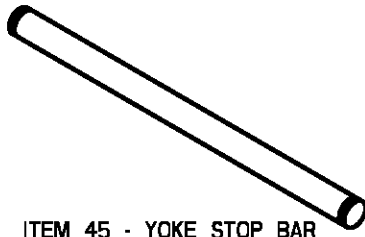


**BP500 ITEM LIST**  
**Better Packages, Inc.®**

Shelton, CT 06484



ITEM 44 - SHAFT  
E-580



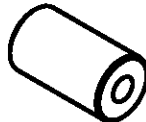
ITEM 45 - YOKE STOP BAR  
E-527



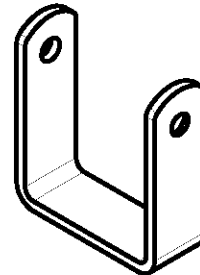
ITEM 46 - STRAIN RELIEF BUSHING  
ST-1628



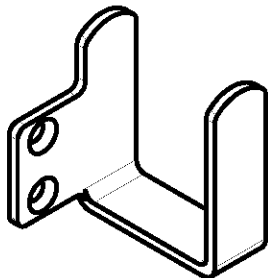
ITEM 47 - CLIP  
E-676



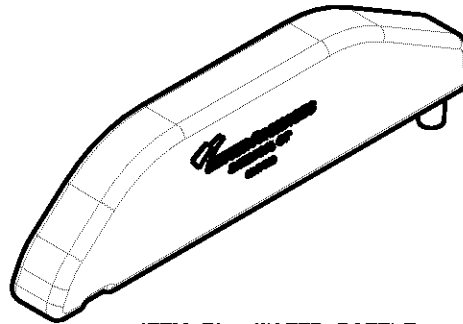
ITEM 48 - SPACER  
ST-1592



ITEM 49 - BOTTLE BRACKET, FRONT  
FF-6120



ITEM 50 - BOTTLE BRACKET, REAR  
FF-6110



ITEM 51 - WATER BOTTLE  
FF-6100



**BP500 ITEM LIST**  
**Better Packages, Inc.®**

Shelton, CT 06484



ITEM 54 - WASHER, .257 ID x 3/4 OD  
E-637



ITEM 55 - WASHER, MOTOR BRACKET  
ND-125



ITEM 56 - WASHER  
ST-2528



ITEM 57 - WASHER, FLAT #8  
ST-1965



ITEM 58 - NUT, #10-24  
ST-2890



ITEM 59 - RETAINING RING  
WK-20



ITEM 60 - INTERNAL LOCKWASHER  
I214



ITEM 61 - E-RING  
FM-101



ITEM 62 - RETAINING RING  
WK-2



ITEM 63 - KEPS NUT, 1/4-20  
ST-2882



ITEM 64 - HEX NUT  
K-223



ITEM 65 - ACORN NUT  
ST-2881



ITEM 66 - NUT, #4-40 KEPS  
ST-1068



ITEM 67 - SCREW, #6 x 1/4 PHP  
EA70



ITEM 68 - SCREW, 1/4-20 1/2" LG PHP  
TO-256



ITEM 69 - SCREW, 1/4-20 x 3/4 HEX HD  
TS-415



ITEM 70 - SCREW, #8-32 x 5/16 RHP  
K-255



ITEM 71 - SCREW, #4-40 x 5/8, PHP  
ST-2897



ITEM 72 - SCREW, #10-32 x 1 1/8, PHP  
K201-F



ITEM 73 - SCREW, #10-32 x 1/2 RHP  
W/ LOCTITE PATCH  
FM-96P



ITEM 74 - SCREW, #10-32 x 1 1/4, FHP  
ST-2924

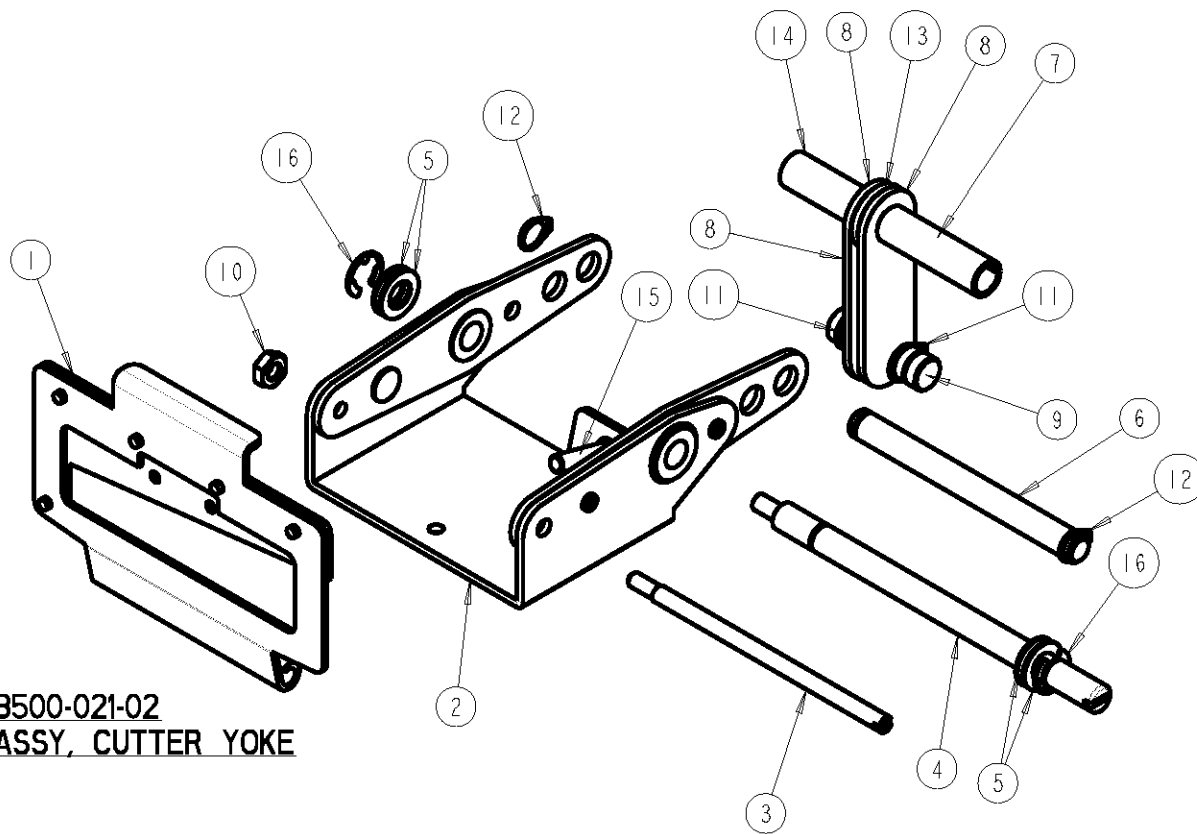


ITEM 75 - SCREW, #10-24 x 3/8 PHP (SEMS)  
ST-1949



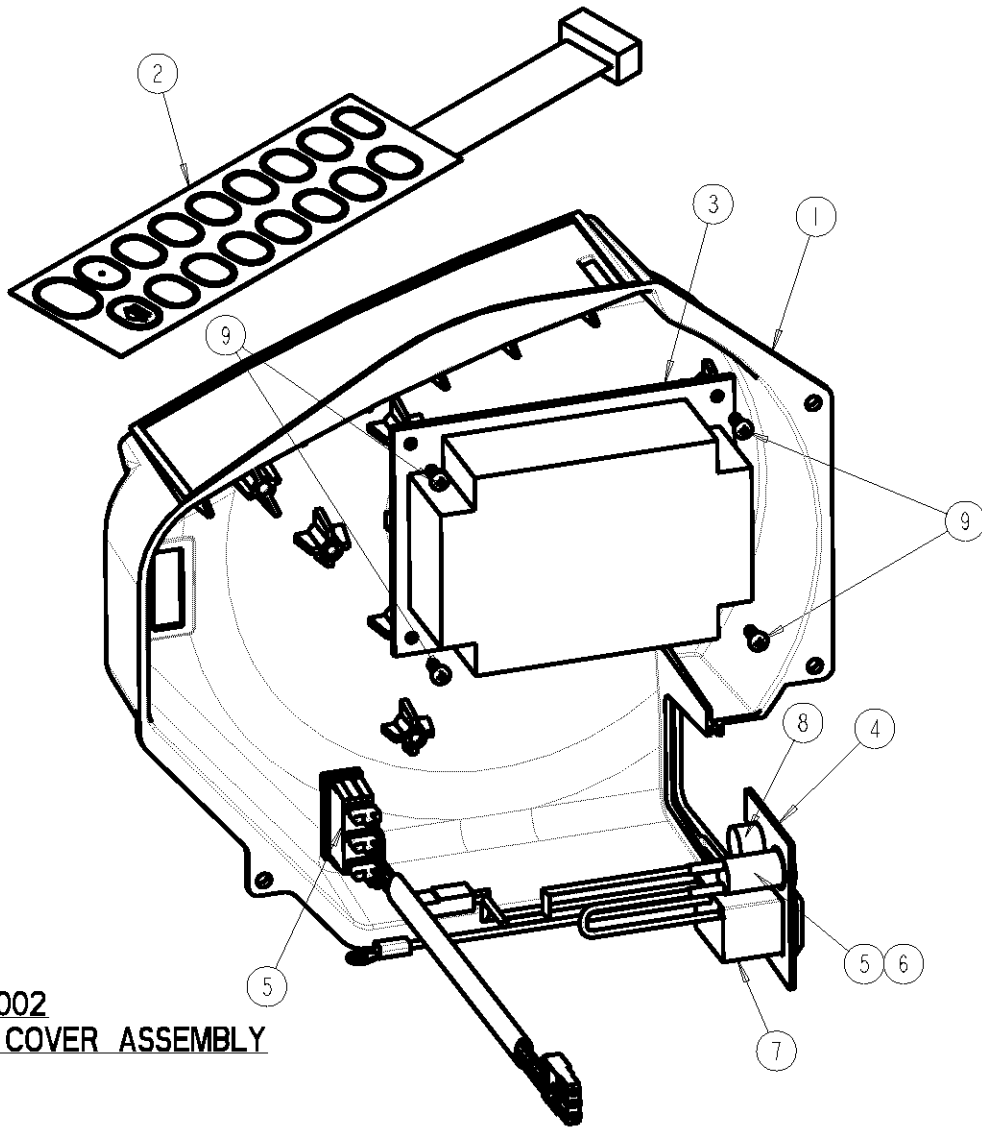
**BP500 HARDWARE LIST**  
**Better Packages, Inc.®**

Shelton, CT 06484



**B500-021-02**  
**ASSY, CUTTER YOKE**

ITEM	PART NUMBER	DESCRIPTION
1	B500-021-02	ASSY, CUTTER
2	E584-RAX	ASSY, YOKE BRACKET
3	FM-25-B	BLADE HOLDER PIVOT PIN
4	FM-32	ROCKER SHAFT
5	SX49A	WASHER, .32 x 9/16 x 1/32
6	E-623	CUTTER YOKE LINK PIVOT SHAFT
7	E-624	RIGHT, CUTTER YOKE LINK SPACER
8	E-551	SOLENOID LINK
9	E-594	SOLENOID PIN
10	K221B	BOOT NUT, 10-32
11	WK3	RETAINING RING
12	WK2	RETAINING RING
13	E-640	SOLENOID LINK FELT WASHER
14	E-625	LEFT, CUTTER YOKE LINK SPACER
15	FM-73	SCREW, #10-32 x 3/4 OVAL
16	FM-94	RETAINING RING



**B500-002**  
**LEFT COVER ASSEMBLY**

ITEM	PART NUMBER	DESCRIPTION	MODEL
1	B500-002-00	COVER, B500 LEFT SIDE	ALL MODELS
2	B500-003-01	KEYBOARD ASSY, B500, INCH	115v IN
2	B500-003-02	KEYBOARD ASSY, B500, CM	220v CM, 115v IN
3	B500-001-01	PCB ASSY, B500 CONTROLLER BOARD	115v IN
3	B500-001-02	PCB ASSY, BP500M CONTROLLER BOARD	220v CM
3	B500-001-03	PCB ASSY, B500J CONTROLLER BOARD	115v CM
4	B500-006-00	PLATE, POWER ENTRY, SINGLE FUSE	115v IN, 115v CM
4	B500-010-00	PLATE, POWER ENTRY, DOUBLE FUSE	220v CM, 220v IN
5	ST-2341	FUSE, 4A, 5MM x 20MM, SLO BLO	115v IN, 115v CM
5	ST-2490	FUSE, 2A, 5MM x 20MM, SLO BLO, 250V	220v IN, 220v CM
6	ST-2321	FUSE HOLDER	ALL MODELS
7	E555-128-01	LINE FILTER ASSY	ALL MODELS
8	ST-2873	PANEL PLUG	115v IN, 115v CM
9	ST-2876	SCREW, PLASTITE, #8 x 3/8" LG	ALL MODELS

 **Better Packages, Inc.®**  
Shelton, CT 06484