



**BETTER
PACKAGES™**
Seal with Integrity



*Tape Aerial is accessory only.
Not included with machine

Operator Manual BP555e

Series of Tape Dispensers

The World's Leading
Carton Sealing System



255 Canal Street, Shelton, CT 06484
www.betterpackages.com

Form 50661 11/2001
www.betterpackages.com

BP555e Operating Guide Form 50661 11/01

We at Better Packages would like to hear your comments about this manual and our product. Please fill out the following form and mail to:

255 Canal Street
Shelton, CT 06484

or Fax to:
203-926-3705

Please rate this manual by checking the appropriate box

- | | | |
|--------------------------------|------------------------------------|------------------------------------|
| <input type="checkbox"/> Great | <input type="checkbox"/> Very Good | <input type="checkbox"/> Good |
| <input type="checkbox"/> Fair | <input type="checkbox"/> Poor | <input type="checkbox"/> Very Poor |

What did you like:

What didn't you like:

Are there any improvements or features that you would like to see added to the product?

Optional Information:

Name:

Phone Number:

Company:

Thanks, we appreciate your response.

This manual is a non-controlled document.

This manual has been carefully compiled and checked for accuracy. Information in this manual does not constitute a warranty of performance. Furthermore, Better Packages reserves the right to revise this publication and make changes from time to time, in its content.

Better Packages ASSUMES NO LIABILITY WHATSOEVER FOR ANY LOSSES OR DAMAGES INCURRED AS A RESULT OF INFORMATION CONTAINED IN THIS MANUAL.

Proprietary Notice

This publication contains information proprietary and confidential to Better Packages. Any reproduction, disclosure, or use of this publication is expressly prohibited except as Better Packages may otherwise authorize in writing.

Better Packages

255 Canal Street
Shelton, CT 06484
Telephone: 800/237-9151
203/926-3711 Fax: 203/926-3705
Web Site: <http://www.betterpackages.com>

CAUTION: If an object falls into one of the cover guide arm slots, disconnect power and notify service personnel.

CAUTION: Metal surfaces of the heater may attain temperatures up to 74 degrees Celsius (165 degrees Fahrenheit)

CAUTION: This equipment generates, uses, and can radiate radio energy and if not installed and used in accordance with the instruction manual, may cause interference to radio communications. It has been tested and found to comply with the limits for Class A computing device pursuant to Subpart J of Part 15 of FCC Rules, which are designed to provide reasonable protection against such interference when operated in a commercial environment. Operation of this equipment in a residential area is likely to cause interference, in which case the user at his own expense will be required to take whatever measures may be required to correct the interference.

CAUTION: When moving the tape dispenser from one location to another, power must be disconnected and the water bottle, water tank and brushes should be removed to prevent spillage that could result in an electrical shock hazard.

NOTE: Power must be removed before attempting to clear a tape jam.

NOTE: The top cover is interlocked such that the unit will not operate if the cover is not fully closed.

**Section 1 -
Unpacking and Setup**

Unpacking the tape dispenser5
 Checking the contents5
 Fill out the Warranty Card5
 Preparing the unit for operation6
 Adjusting the Roll Guides6
 Loading the Tape6
 Checking the Upper Tape Plate7
 Installing the Bottle and Water Tank8
 Mounting the tape dispenser
 to the work bench - Optional9
 Attaching the power cord10

**Section 2 -
Detailed Operation**

Turning the system "ON"11
 Adjusting the setting on the
 heater assembly11
 Selecting the Tape Length (Standard).....11
 Selecting the Tape Length (Automatic)11
 To dispense a random length of tape13
 To dispense a specific length of tape
 not on a number button13
 To dispense tape longer than
 the amount on a number button.....13
 To dispense a tape shorter than
 the amount on a number button.....14
 To dispense a length of tape
 twice the length of a number button.....14
 To adjust the length of a number button
 and then double it.....14
 To repeat the length previously
 dispensed (Standard)15
 To repeat the length previously
 dispensed (Automatic)15
 To activate Automatic Mode16
 To repeat one tape length automatically16
 To repeat two tape lengths automatically16
 To repeat three tape lengths automatically17

**Section 3 -
How to Seal Your Cartons**

Advantages of water activated
 Gummed Tape18
 Choosing the best tape for your application.....18
 Identifying the types of tape18
 What you should know about glue formulas19
 The different grades of Sealing Tape.....19
 Selecting tape19
 Proper tape moistening.....20
 Adjusting the amount of water applied
 to the tape20
 Setting the heater controls20
 Choosing the correct tape length21
 Apply tape to the carton21

**Section 4 -
Maintenance**

Washing the tank, brushes, and bottle22
 Cleaning the Shear Blades23
 Clearing Jams23
 Changing the Fuse24
 Lubrication25
 Cleaning - Inside and Out.....25

**Section 5 -
Specifications**

Model descriptions26
 Technical specifications26
 Port Connectivity.....27

**Section 6 -
Service and Warranty**

**This section provides warranty information
 and how to obtain service.**
 Limited Warranty28
 How to contact Better Packages28
 Index29

UNPACKING

When you open the top flaps on the box for the tape dispenser, there will be instructions for removing the tape dispenser from its packaging. Save the box and packing materials in case you need to ship the unit at some future time.

CHECKING THE CONTENTS

Packaged inside the tape dispenser, under the top cover are the following items:
 See Figure 1.

- Brush Assembly (three beveled brushes assembled together)
- Water Tank (a black plastic piece with a metal bracket attached to it)
- Bottle (a white plastic bottle with a screw cap)
- Upper Tape Plate
- Power Cord
- Operating Guide
- Warranty Card (inside the Operating Guide)
- 2 Tape Roll Guides (not pictured, see page 6)

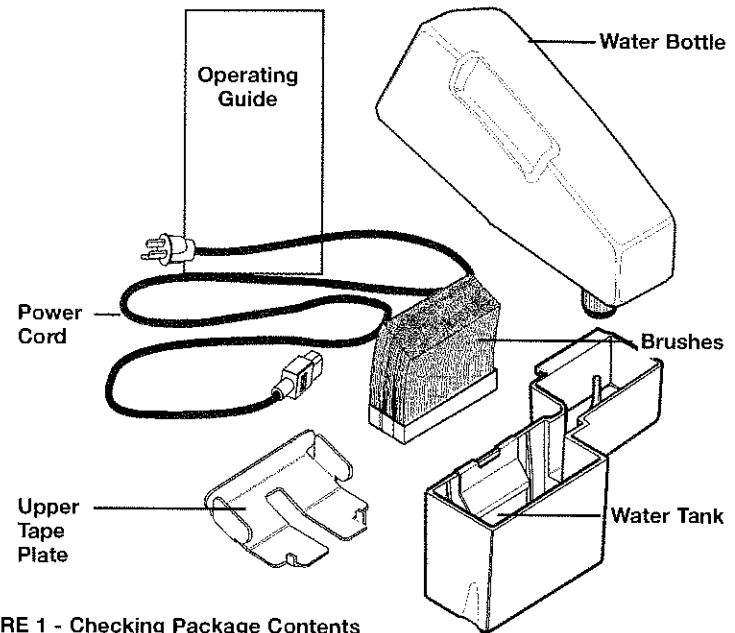


FIGURE 1 - Checking Package Contents

FILL OUT THE WARRANTY CARD

Filling out the warranty card and returning it to us protects your warranty and allows us to keep you informed of product upgrades.

Preparing the Unit for Operation

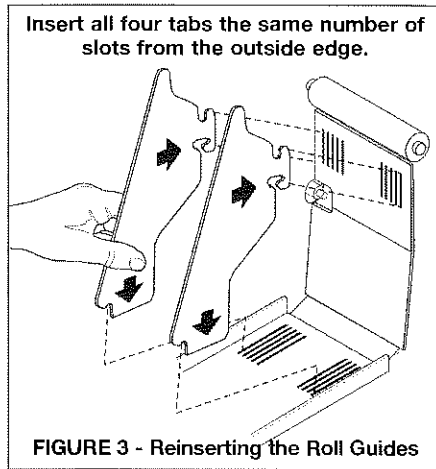
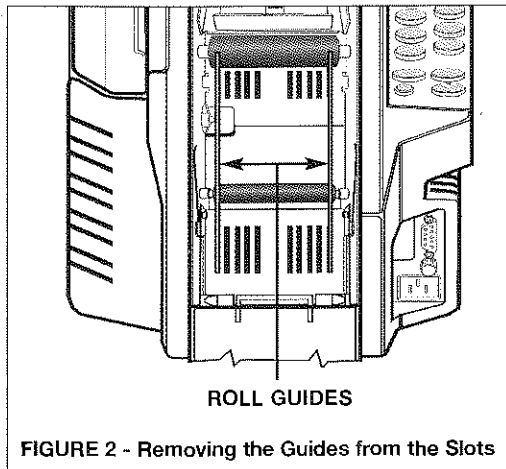
ADJUSTING THE ROLL GUIDES

Roll guides fit into slots in the front and bottom panels of the tape basket. They hold the tape roll vertical to allow the tape to unwind. You must adjust these guides for the size of the tape being used.

NOTE: This machine can dispense tapes from 1-1/2" to 3.0" wide.

PROCEDURE:

1. Remove a guide from its current position by grasping the guide, lifting it up and pulling the bottom of it to the rear of the unit. See Figure 2.
2. Reinsert each guide pressing it first into the bottom slot and then rotating it into the front slot. See Figure 3.



- Set the space between the guides to just larger than the width of the tape.
- Use the guides to center the tape as much as possible by inserting each guide into a slot the same distance from the outside edge of the panel. For example, if you set the bottom part of the guide in the second slot from the outside edge of the panel, set the front part of the guide also into the second slot from the outside edge.

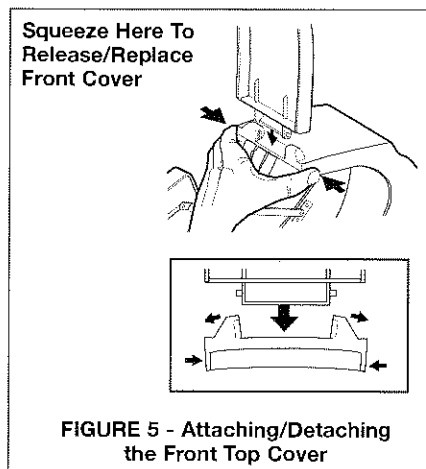
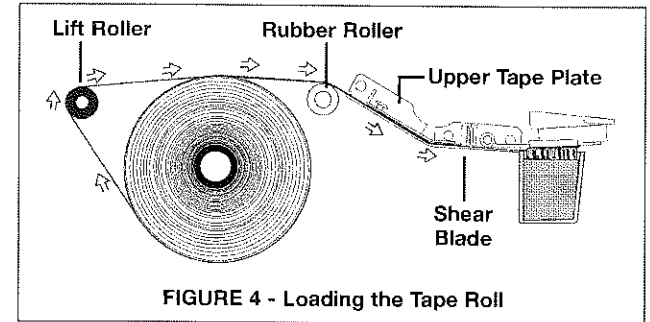
LOADING THE TAPE

1. Cut the end of the tape so that it has a clean, square end to feed under the drive wheel.
2. Load the tape roll into the basket so that:
 - The adhesive side is down.
 - The roll is upright between the roll guides. See Figure 4.
 - The end of the tape goes over the:
 - Top of the tape roll from back to front.
 - Lift Roller then rubber Roller

- The end of the tape is fed under the top tape plate and drive wheel; and is butted against the shear blade.
3. Close the top cover.

Feed the tape:

- Adhesive side down
- Around the lift roller
- Over the rubber roller
- Under the upper tape plate
- Under the guide bar
- Up against the shear blade



NOTES:

- The front part of the top cover is attached to the rear part with plastic pivot points. To attach or detach the front part to or from the rear, squeeze the back part of the top cover just below the pivot point to spread the opening where the front part attaches. This will allow the pivot knobs to fit into the slots. See Figure 5.
- Be sure the top cover is fully closed. There is a safety interlock built into the dispenser which prevents the machine from operating unless the cover is completely closed.

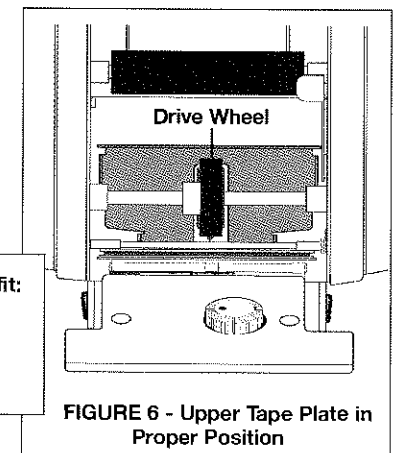
CHECKING UPPER TAPE PLATE

Make sure the upper tape plate is in its proper position as shown in Figure 6. If the plate is not correctly positioned:

1. Hold the upper tape plate by its rear edge (see Figure 7), and guide it forward so that the front slot centers around the drive wheel.
2. When the cutouts in the sides of the plate are above the retaining buttons, drop the plate down and slide it forward as far as it will go.

The upper tape plate must fit:

- Around the drive wheel
- Under the guide bar
- Over the rubber roller Drive Wheel



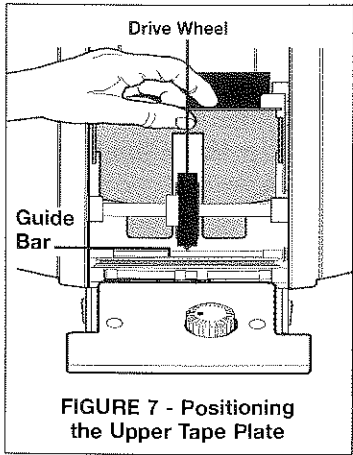


FIGURE 7 - Positioning the Upper Tape Plate

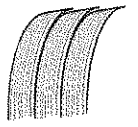
NOTE: There is a round guide bar just before the cutting blade. The front of the upper tape plate should be under that guide bar.

INSTALLING THE BOTTLE AND WATER TANK

1. Insert the brush assembly in the water tank. The brush assembly must be tilted toward the dispenser so that the cotter pin will clear the retaining bracket as it is pressed into place. See *Figure 8*. Then rotate the brush forward so that it seats flatly on the bottom of the water tank. The edge of the base of the brush should be under the retaining bracket.

2. Lift the front of the heater assembly and slide the water tank into position at the front of the dispenser.

Brushes must be angled toward the front of the dispenser in order to work. Installing the brushes backwards will cause a troublesome tape jam



At first, tilt the brush toward the dispenser so that the head of the cotter pin clears the retaining bracket as you push the brushes into the tank. Then tilt the brush back so that it seals flatly on the bottom of the tank.

The bottom of the water tank should be even with the edges of the shelf it sits on and the water tank will drop slightly into the shelf when it is correctly positioned.

3. Lower the heater assembly
4. Fill the bottle with water.

NOTE: We recommend using Penetron® or a similar wetting agent if you have hard water. This will keep mineral deposits and bacteria from building up in the brushes, bottle, and water tank. These deposits can lead to poor tape adhesion. The



CAUTION: Under normal operating conditions, the bottom of the heater assembly may be **HOT**. Handle the assembly **ONLY** by the tabs sticking out from the sides. See *Figure 9*.

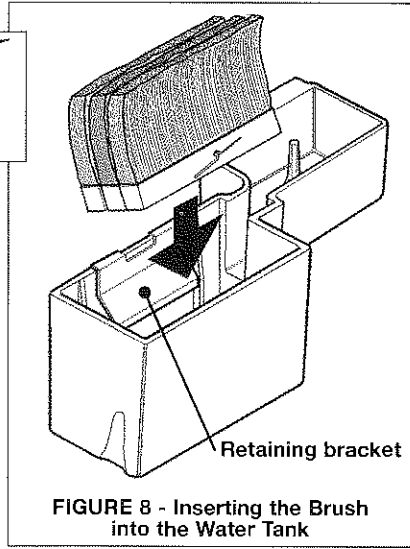


FIGURE 8 - Inserting the Brush into the Water Tank

Penetron helps the water more quickly penetrate into the adhesive for better performance. Use these tabs to raise and lower the heater assembly. The tank will drop slightly into this shelf when it is correctly positioned.

5. Position the bottle onto the right side of the dispenser. The spring-loaded center of the bottle's cap must be on the pylon protruding up from the water tank. See *Figure 10*.

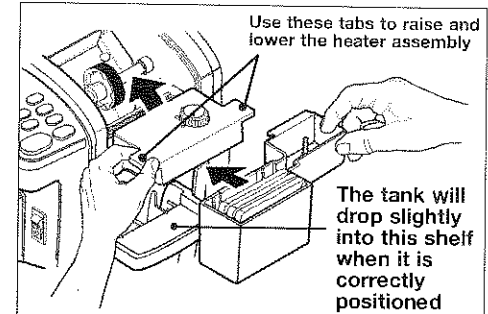


FIGURE 9 - Handling the Heater Assembly

MOUNT THE DISPENSER TO THE WORK BENCH (OPTIONAL)

The dispenser may be bolted to the work bench or table that it sits on. The main reason to do this is the dispenser can't be knocked off the bench-top should someone bump into it. The dispenser is shipped with four (4) rubber feet attached to the bottom panel by 10-24 phillips head screws.

1. Drill four holes into the top of the bench.
2. Remove the screws and washers from the bottom panel that hold the feet in place.
3. Measure the thickness of the bench top. Obtain 4 (four) 10-24 screws/bolts that are 9/16" to 1-1/16" longer than the thickness of the bench top. For example, if the bench top is 1" thick, use screws 1-9/16" to 2-1/16" long to attach the dispenser to the bench top.

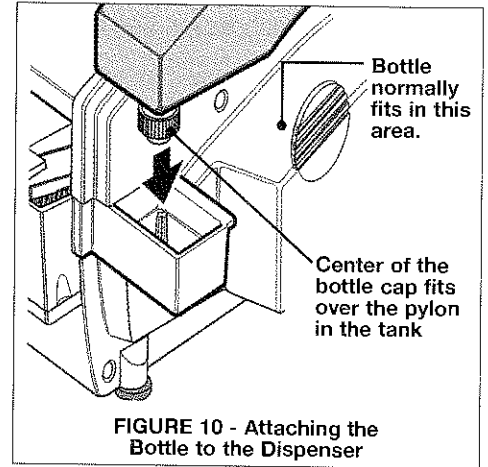


FIGURE 10 - Attaching the Bottle to the Dispenser

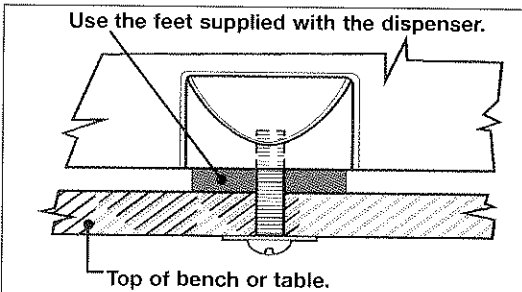


FIGURE 11 - Mounting the Dispenser to a Bench Top

4. Position the dispenser over the bench so that their mounting holes are lined up.

IMPORTANT: Keep the feet between the dispenser and the bench top. This will protect both the dispenser and the bench from vibration from the dispenser's normal operation.

5. Insert the 10-24 screws through the bottom of the bench, through the rubber feet, into the threaded holes in the bottom panel. *See Figure 11.*
- Use Loctite® or a similar thread locking compound on the threads of the screws to prevent them from loosening.
- Tighten the screws until they are snug, but do not tighten them so much that the rubber feet are compressed.
- Use washers under the heads of the bolts or screws used to secure the dispenser to the bench top.

ATTACH THE POWER CORD

1. Ensure that the power switch is in the OFF (down) position. *See Figure 12.*
2. Attach the female end of the power cord to the dispenser connector. *See Figure 13.*

There are two other components on the electrical panel:

- The 9-Pin female connector that can be used:

On Standard and Automatic models to attach a pedal switch.

On Automatic models (only) to access an RS-232 serial data port. Using this data port, the Better Packages Automatic Measuring Device (AMD-1) can be utilized to instantly measure & dispense the exact length as tape needed.

- A user-replaceable fuse.
- See the Maintenance Section

3. Plug the male end of the power cord into a 110/120v 60hz receptacle.

! WARNING: FOR YOUR SAFETY
All metal parts of this machine are electrically grounded through a 3-wire power supply. You must plug this cord into a 3-wire grounded type receptacle.

If you are not sure if the electrical system in your building is properly grounded, contact a licensed electrician.

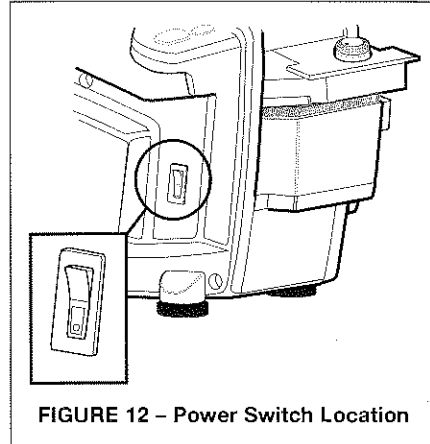


FIGURE 12 – Power Switch Location

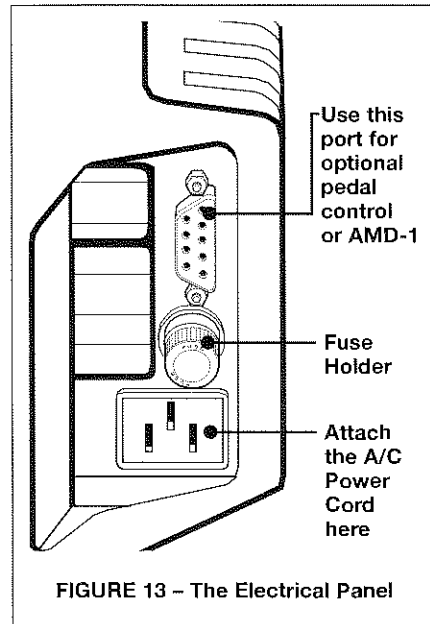


FIGURE 13 – The Electrical Panel

TURN THE SYSTEM “ON”

Turn the power switch to the “ON” (up) position. The switch will light and the dispenser will “beep” once. *See Figure 14.*

ADJUST THE SETTING ON THE HEATER ASSEMBLY.

Finding the correct setting for the tape you are using is a matter of simple testing. Turn adjustment knob to highest setting (clockwise), then back off slightly to the lowest temperature setting that best meets your needs. *See Figure 15.* Refer to Section 3 on how to seal with gummed tape.

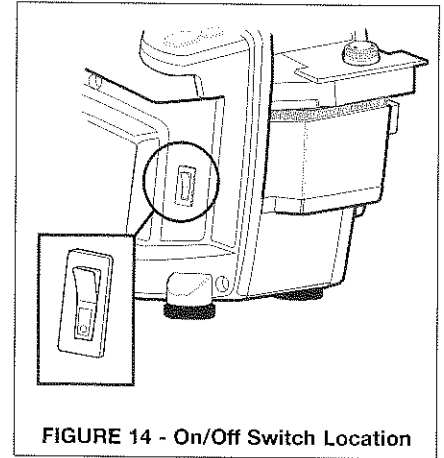


FIGURE 14 - On/Off Switch Location

! CAUTION: The bottom of the heater assembly gets **HOT!**
Handle the heater only by the tabs protruding from the sides of its top. *See Figure 15.*

When the heat is properly adjusted, the tape will adhere quickly to the parcel. Too low a setting may result in the tape taking too long to properly adhere.

SELECT THE TAPE LENGTH (STANDARD MODEL)

Pressing a button or combination of buttons allows you to dispense tape in lengths from 4” to a maximum of 120” in increments of 1/2”. *See Figure 16a (page 12).*

SELECT THE TAPE LENGTH (AUTOMATIC MODEL)

Pressing a button or combination of buttons allows you to dispense tape in lengths from 4” to a maximum of 120” in increments of 1/2”. *See Figure 16b (page 12).*

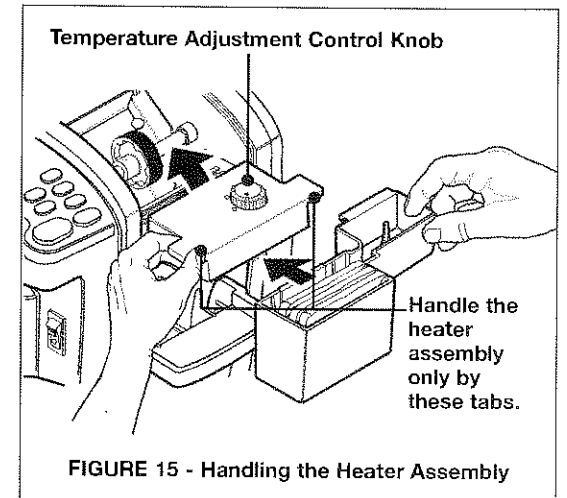


FIGURE 15 - Handling the Heater Assembly

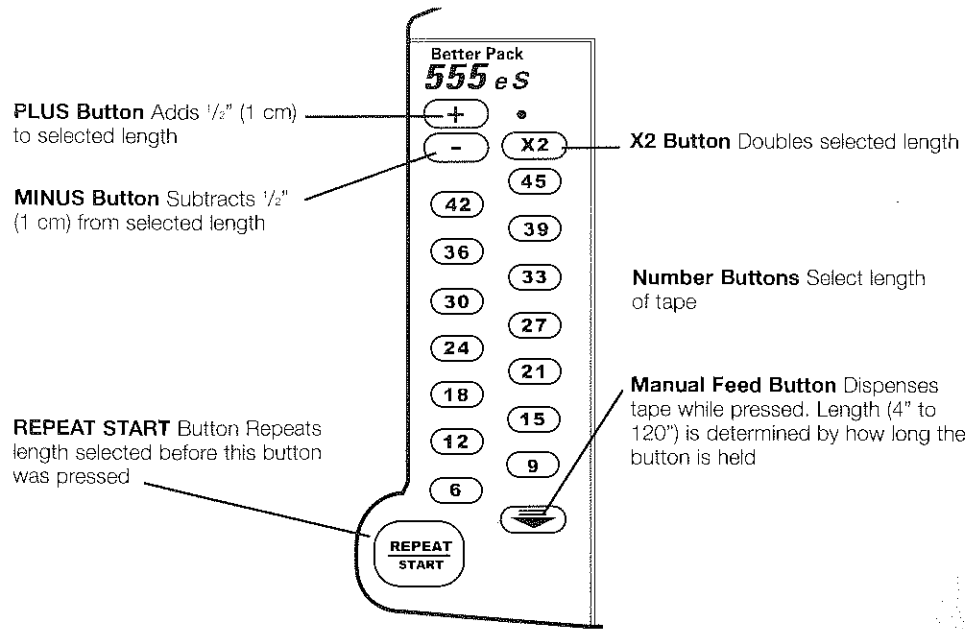


FIGURE 16a - Keypad for Tape Length Selection

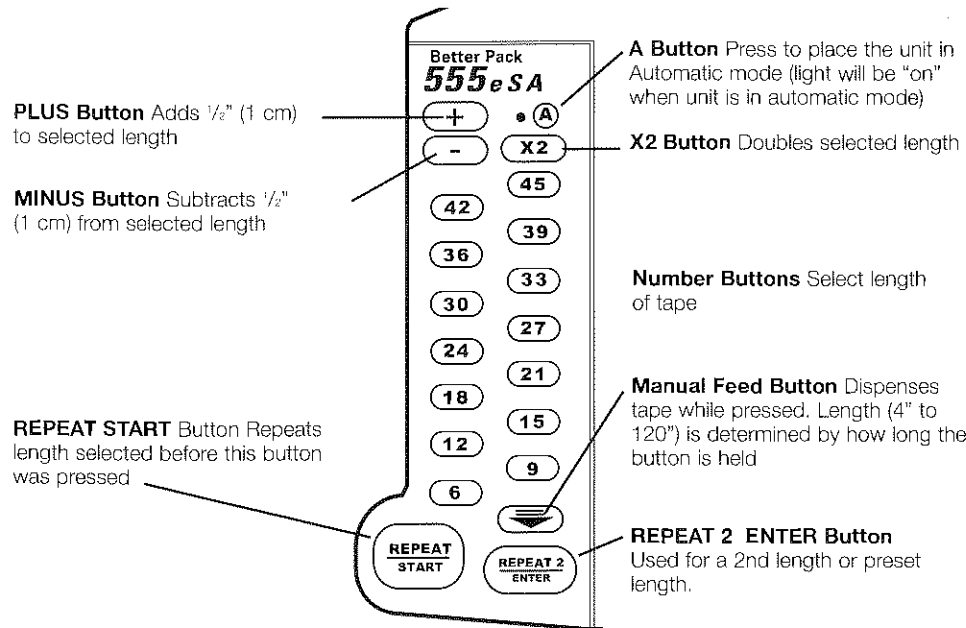


FIGURE 16b - Keypad for Tape Length Selection

TO DISPENSE A RANDOM LENGTH OF TAPE:

Press and hold the manual feed button (down arrow) until the desired length of tape is dispensed.



The Manual Feed Button (lower right on the keypad)

It will dispense a length of 4" (10 cm) to a maximum of 120" (305 cm) depending upon how long the button is held down.

TO DISPENSE A LENGTH OF TAPE EQUAL TO A NUMBER BUTTON LENGTH:

Press **42** To dispense 42"

Press **15** To dispense 15"

To dispense a specific length not on a number button:

- You can **add** or **subtract** 1/2" increments from any number button length.
- You can **double** any button number length.
- You can adjust a number button length (longer or shorter) and *then* double it.
- You can repeat the length previously dispensed with a single button.

ERROR NOTIFICATION

NOTE: If you press a combination of keys that doesn't work, the system lets you know by beeping three times. If this happens, re-enter the key or combination of keys to produce the length or lengths that you require.

TO DISPENSE TAPE LONGER THAN THE AMOUNT ON A NUMBER BUTTON:

Press **+** **42** To dispense 42-1/2"
(one 1/2" is added for each press of the **+** button).
In this case it is 1/2" (1 x 1/2").

Press **+** **+** **42** To dispense 43" (one 1/2" is added for each press of the **+** button).
In this case it is 1" (2 x 1/2").

Press the **+** button once for each 1/2" you want to add to a number button. You can press the **+** button as many times as you want before you press the number button. For example;

- To dispense 42-1/2" of tape, press the **+** button once (to add 1/2") and then press the **42** button. A 42-1/2" length of tape is dispensed.

TO DISPENSE TAPE SHORTER THAN THE AMOUNT ON A NUMBER BUTTON:

Press To dispense 41-1/2" (one 1/2" is subtracted for each press of the button). In this case it is 1/2" (1 x 1/2").

Press To dispense 41" (one 1/2" is subtracted for each press of the button. In this case it is 1" (2 x 1/2").

Press the button once for each 1/2" you want to **subtract** from a number button. For example;

- To dispense 42-1/2" of tape, press the button once (to subtract 1/2") and then press the button. A 41-1/2" length of tape is dispensed.
- To dispense 41" of tape, press the button twice (to subtract one inch) and then press the button. A 41" length of tape is dispensed.
- You can press the button as many times as you want before you press the number button.

TO DISPENSE A LENGTH OF TAPE TWICE THE LENGTH OF A NUMBER BUTTON:

Press To dispense 84". (2 times 42 = 84)

Press To dispense 54". (2 times 27 = 54).

First press the button and then press the number button.

For example:

- Pressing and then pressing the button will dispense 84" of tape.
- Pressing and then pressing the button will dispense 54" of tape.

TO ADJUST THE LENGTH OF A NUMBER BUTTON AND THEN DOUBLE IT:

Press To dispense 63", 30" plus 1 1/2" (for the three buttons) = 31-1/2".
31-1/2" times 2 (for the button) = 63".

The button can be used together with the button or the button to double the length of an adjusted number button. For example;

- If you press the button three times (to add 1 1/2"), press the button, and then press the number button, 63" of tape will be dispensed.

TO REPEAT THE LENGTH PREVIOUSLY DISPENSED (STANDARD MODEL):

The dispenser "remembers" the last length of tape dispensed and stores that value in its memory. Pressing the **REPEAT** key dispenses the same length of tape that was previously dispensed. This is especially handy if you are dispensing a tape length that was adjusted using the or the buttons.



The REPEAT Button – Lower left on the keyboard

The **REPEAT** key also repeats standard number button lengths. Each time you dispense a different length of tape by pressing a different button or combination of buttons, that new figure:

- Is stored in the **REPEAT** button memory
- Becomes the length dispensed the next time you press the **REPEAT** button.

TO REPEAT THE LENGTH PREVIOUSLY DISPENSED (AUTOMATIC MODEL):

The dispenser "remembers" the last two length of tape dispensed and stores those values in its memory.



Standard Mode

To dispense a Six Inch tape, press once. Remove the piece of tape.

Press this will also dispense a six inch tape.

Press and a nine inch piece of tape will be dispensed. Remove the piece of tape.



Press a nine inch piece of tape will again be dispensed.

Remove the piece of tape, press a six inch piece of tape will be dispensed.

In this way, any two lengths can be memorized by the unit's electronics and can be repeated using



AUTOMATIC MODE:

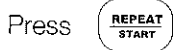
In the Automatic Mode, removing a piece of tape from the dispenser causes another piece of tape to be dispensed automatically. Additionally, in the Automatic Mode, the dispenser can remember up to three tape lengths and automatically dispense them in the order in which they were entered.

TO ACTIVATE AUTOMATIC MODE:

- 1) Make sure that the last piece of tape dispensed has been removed.
- 2) Press **(A)**
- 3) The indicator will be illuminated (red).

TO REPEAT ONE TAPE LENGTH AUTOMATICALLY:

Press **(6)** ... a six inch tape will be dispensed. Remove the six inch tape.



A six inch piece of tape will be dispensed -remove it and another six inch piece of tape will be dispensed automatically.

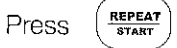
TO REPEAT TWO TAPE LENGTHS AUTOMATICALLY:

First make sure the memory is clear of any lengths previously stored. To do this, press "A", the indicator turns off. Remove any piece of tape that may have been dispensed but not removed. Press "A" again. The indicator lights (red) and the memory is cleared and ready for your input.

Press **(6)** ... a six inch tape will be dispensed. Remove the six inch tape.



Press **(9)** ... a nine inch tape will be dispensed. Remove the nine inch piece of tape.



A six inch piece of tape will be dispensed. Remove the six inch piece of tape and a nine inch piece will automatically be dispensed. Removing the nine inch piece will then automatically dispense a six inch piece.

TO REPEAT THREE TAPE LENGTHS AUTOMATICALLY:

First make sure the memory is clear of any lengths previously stored. To do this, press "A", the indicator turns off. Remove any piece of tape that may have been dispensed and not removed. Press "A" again. The indicator lights (red) and the memory is cleared and ready for your input.

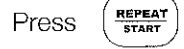
Press **(6)** ... a six inch tape will be dispensed. Remove the six inch tape.



Press **(9)** ... a nine inch tape will be dispensed. Remove the nine inch piece of tape.



Press **(12)** ... a twelve inch tape will be dispensed. Remove the twelve inch piece of tape.



A "6" inch piece of tape will be dispensed and as each successive piece is removed the unit automatically continues to dispense in the correct sequence: ... 9, 12, 6, 9, 12, 6, 9, 12 ... and so on.

TIPS ON CARTON SEALING

Advantages of Water Activated Tape:

- Strong, secure seal
- Neat appearance
- May be printed on during application
- Adheres well even in dirty, dusty environments
- Up to ten times stronger than plastic tape
- Doesn't stick to itself during application
- Permanent bond formed when the adhesive penetrates the corrugated board
- Unaffected by extremes of cold, heat, light or humidity
- Even when damaged, it retains strength. It doesn't run, tear, or stretch
- Tamper evident if the seal is compromised
- Environmentally friendly and recyclable
- Eliminates repetitive wrist motions of hand-held guns
- Discourages theft – tape won't "pop off"
- Economical – never need more than one strip of tape per seal

Sealing cartons with reinforced gummed tape has been called "the professional's choice" because of its superior strength, security, durability and neat appearance.

CHOOSING THE BEST TAPE FOR YOUR APPLICATION

Depending on its type and manufacturer, water activated tape is also called:

- Gummed paper tape
- Kraft tape
- Reinforced tape
- Reinforced paper tape

IDENTIFYING THE TYPES OF TAPE

The following table list the types of tape and their identifying characteristics:

TYPE	CHARACTERISTIC
Water Activated or Gummed Tape	Gummed adhesive on the back which must be wet, or reactivated, by water
Paper Tape or Kraft Paper Tape	Made from paper only with no additional reinforcing material
Reinforced Tape or Reinforced Paper Tape	Contains stands of reinforcing material

Tapes are differentiated by:

- Their color – kraft or white
- The weight of the paper used in the top and bottom sheets
- The presence of reinforcing material and the thickness, the number of reinforcing strands and the weave pattern of the strands
- The glue formula

WHAT YOU SHOULD KNOW ABOUT ADHESIVE FORMULAS:

- Almost all adhesives today are starch-based and therefore very friendly to users and the environment.
- Open time is the length of time (in seconds) that it takes the adhesive to begin to bond to the corrugated.
 - Adhesive formulas that are quick to set have a short "open time".
 - Adhesives that take longer to set have a longer open time.
- As long as the adhesive has not yet set, the moistened piece of tape may be straightened or move to another location.
- If there is stress on the carton seal, as in the case of an over-stuffed carton, then it is desirable to have a shorter (quicker) open time.
- If the carton is large, then it is desirable to have a longer open time.

THE DIFFERENT GRADES (WEIGHTS) OF SEALING TAPE (LISTED IN ORDER OF INCREASING STRENGTH):

- Paper tape
- Economy grade reinforced tape
- Light weight reinforced tape
- Medium weight reinforced tape
- Heavy weight reinforced tape
- Extra heavy weight reinforced tape
- Boxmakers tape

SELECTING TAPE:

- Use the lightest and thinnest tapes for cartons:
 - Of low value
 - Shipped a short distance
 - Stacked on a pallet and wrapped in shrink wrap
- Use the heavier and thicker tapes for cartons:
 - That are heavy
 - That have great value
 - That are shipped long distances
 - That are shipped individually and are not shrink wrapped.

PROPER TAPE MOISTENING:

Dispense a piece of tape and examine the adhesive surface. The tape should:

- Be evenly wet
- Have no dry spots
- Have no spots where water is running off the surface.

Rub the wet adhesive with your finger.

- The adhesive should have an "oily" feel and consistency.
- You should be able to move the adhesive underneath your finger.

When you rub two wet adhesive surfaces of the tape together against each other, you should see "strings" of adhesive stretching between the two surfaces as you pull them apart, looking much like taffy as it is pulled.

If the tape is too wet or watery, it:

- Will not set fast enough
- May slip slightly over the surface of the carton, causing a "loose" seal

If the tape is not wet enough, it:

- May be tacky or sticky like pressure sensitive tape, but not "oily" like properly moistened tape
- Is too dry to properly activate the adhesive which will prevent a permanent bond from forming (because the adhesive cannot penetrate the corrugate fibers).
- May too easily pull off the carton during handling and transportation.

Adjusting the Amount of Water Applied to the Tape:

- Adjust the height of the water bottle:
 - Higher to apply more water
 - Lower to apply less water
- Never use any dispenser for water activated tape without a water bottle.
- Do not add water to the water bottle "whenever it looks low". This will **always**:
 - Cause overwetting when the tank is first filled
 - Cause underwetting when it needs to be refilled

Setting the Heater Controls

In most situations, the application of heat is helpful for reactivation of the adhesive. Different tape manufacturers use different adhesive formulas. Some require more or less heat than others.

You should experiment with different heat settings to optimize adhesive performance for the tape you are using and the conditions under which you are operating. Carton sealing done in a cold meat packing plant will certainly require a higher temperature setting than will carton sealing done in a tropical plant nursery.

As a general rule, the strength of the adhesive bond will increase as the temperature setting of the heater is increased up to some optimum point. Too much heat:

- May cause the tape to dry too quickly before the glue has properly set.
- Can cause the tape to curl and become difficult to work with.
- In extreme cases, can cause delamination of the tape, causing the tape to fail.

See *Chapter 2* on adjusting the heater.

CHOOSING THE CORRECT TAPE LENGTH

In **most situations**, the correct length of tape is the total length of the seam to be sealed plus a **two to three inch** (5cm-8cm) overlap on each side.

- On **extremely long cartons**, such as those used for furniture or mattresses, an overlap of **four to five inches** (10cm-13cm) may be best.
- On **very short cartons**, those less than 16 to 20 inches, only a **one or two inch** (3cm-5cm) overlap may be necessary.

APPLYING TAPE TO THE CARTON

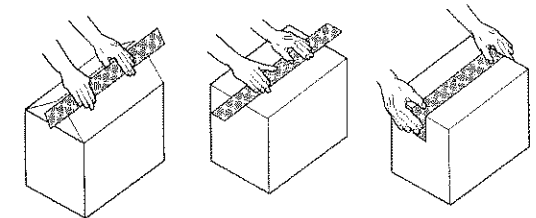
The best way to apply the tape to the carton is:

1. Place the wet tape on the end of one of the flaps to be sealed so that:
 - Half of the tape's width is on one flap
 - The other half is overhanging
2. Fold the flap without the tape down to its closed position.
3. Fold the other carton flap (the one with the overhanging tape) down into its proper closed position so that the overhanging portion of the tape is now in contact with the other flap on the opposite side of the carton.
4. Starting from the middle of the carton, apply a light downward pressure and wipe your hands over the tape on top of the carton flaps. Move from the center to the sides and then down over the overlapping ends in the sides of the carton. Sometimes wiping the tape down a second time before releasing the carton is helpful.

This process will ensure:

- Full adhesion of the adhesive
- A strong permanent bond
- A neat professional appearance of the sealed carton.

NOTE: It is not necessary to apply more than one piece of tape to any one seam being sealed. Reinforced water activated tape provides and extremely strong seal.



There is very little maintenance required to keep your tape dispenser working in top condition. What is required, however, is important to perform.

Maintenance is basically:

- Keeping the machine clear of tape jams
- Cleaning the water tank, bottle, and brushes
- Keeping the shear blade clean
- Keeping the blade oiler moist

These are outlined in the following pages.

WASHING THE TANK, BRUSHES, AND BOTTLE

You should wash the water tank, brushes and bottle with warm water and soap on a weekly basis. This is mostly to clean the hard dried adhesive from the brushes so they remain soft, supple, and wet the tape well for proper adhesion.

Remove the brushes from the tank to remove any old dried adhesive. You will need to tilt the brushes to clear the retaining bracket. Be sure to replace the brushes in the tank correctly. See Figure 17. Facing the brushes in the wrong direction can result in poor moistening and tape jamming.

The brush tips are cut at an angle and in 3 unique lengths. They are designed to be used in one direction only.

! WARNING: Never cut the ends of the brush tips to remove dried glue ... the brush will be too short and will not work properly.

Brushes must be angled toward the front of the dispenser in order to work. Shorter brushes go in the back. Installing the brushes backwards will cause a troublesome tape jam

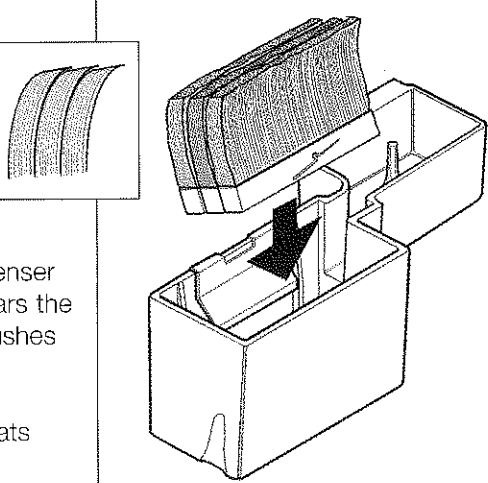


FIGURE 17 - Inserting Brushes into the Tank

At first, tilt the brush toward the dispenser so that the head of the cotter pin clears the retaining bracket as you push the brushes into the tank.

Then, tilt the brush back so that it seats flatly on the bottom of the tank

CLEANING THE SHEAR BLADES

When using reinforced tapes laminated with glue or resin, this material can accumulate on the blades and interfere with cutting the tape. Even paper tape with no reinforcement can cause an accumulation of dust and glue on the blades. Use a small brush and naphtha to remove this accumulation.

! WARNING: Be sure the dispenser is OFF before performing any cleaning operations.

CLEARING JAMS

If the tape jams inside the dispenser near the cutting blade, proceed as follows:

1. Turn the dispenser OFF and UNPLUG it.
2. Cut the tape roll just behind the upper tape plate to get it out of your way.
3. Remove the upper tape plate.
4. Raise the shear blade by moving the lever located to the right of the feed wheel forward.
5. Pull out any jammed tape. Push the lever back to lower the shear blade to its normal operating position.
6. Swing the heater assembly up out of the way and check for and clear any jams in front of the shear blade.
7. Replace the upper tape plate and feed the tape back into position when you have cleared the jam. See Figures 20 and 21 (page 24).

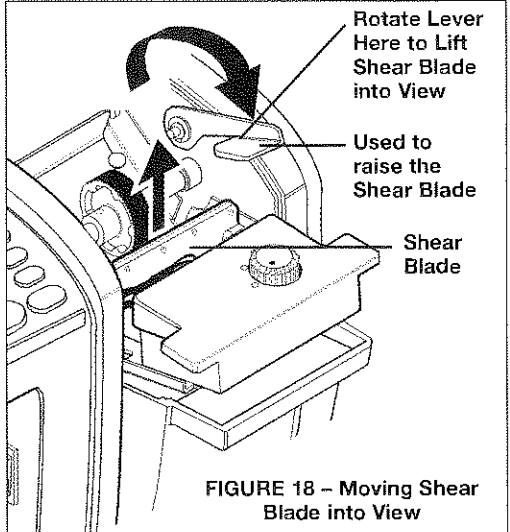


FIGURE 18 - Moving Shear Blade into View

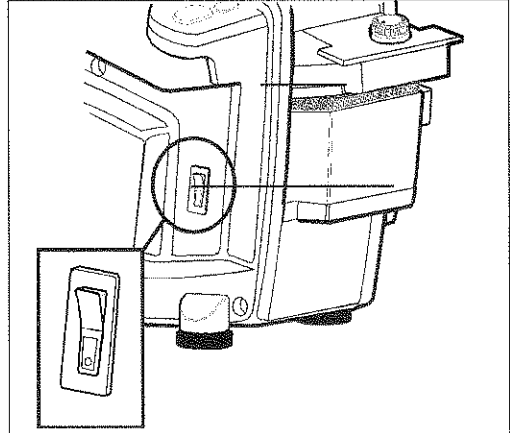


FIGURE 19 - On/Off Switch Location

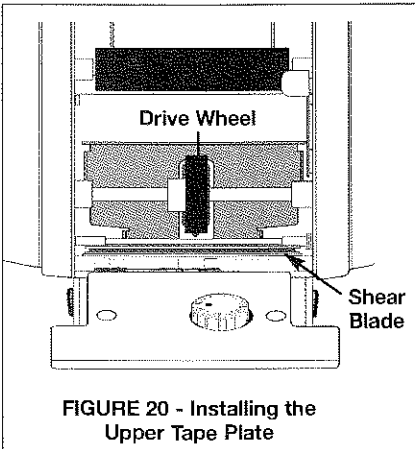


FIGURE 20 - Installing the Upper Tape Plate

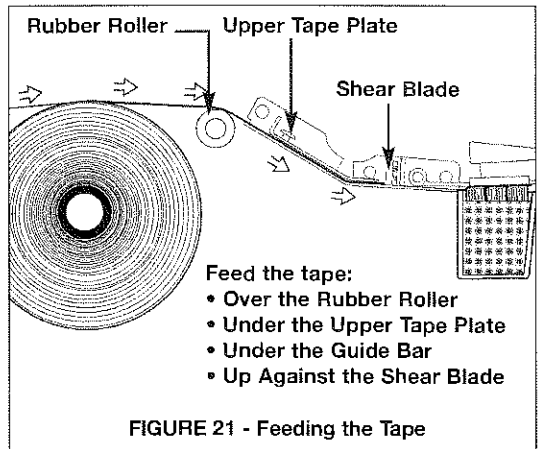


FIGURE 21 - Feeding the Tape

- Feed the tape:
- Over the Rubber Roller
 - Under the Upper Tape Plate
 - Under the Guide Bar
 - Up Against the Shear Blade

CHANGING THE FUSE

If the dispenser is plugged in but doesn't work, it is probably the safety interlock switch. The safety interlock switch makes contact when the top cover is properly closed. Before performing any other diagnostic checks, ensure that the top cover is fully closed and that the switch is activated when the cover is closed. If the top cover is properly closed and the on/off switch doesn't light in the "ON" position, it may indicate a blown fuse.

Proceed as follows:

1. Unplug the dispenser's power cord from the wall.
2. Determine if the outlet is OK. Test the outlet with a light or other device.
3. If the outlet is OK, remove the fuse holder from the electrical panel at the rear of the dispenser and check the fuse to see if it is blown. A break in the filament (the thin wire running the length of the fuse) indicates the fuse is blown. See Figure 22. Use a continuity tester to check the fuse if you are unsure.

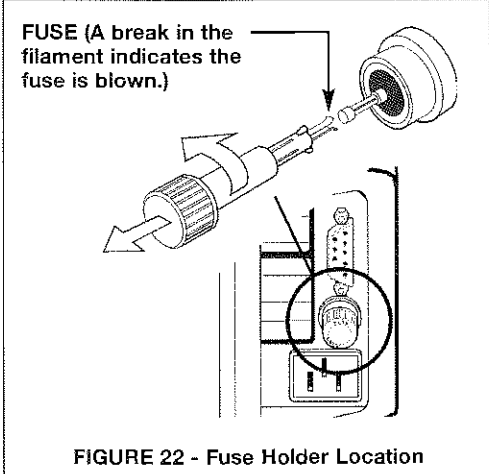


FIGURE 22 - Fuse Holder Location

- If the fuse is blown, replace it with one rated at AL T2 250V.
- If the fuse is OK and the system is still not working, contact your dealer for service or call Better Packages for assistance at:
1-800-237-9151 (in the US only) or
1-203-926-3711 (outside of US)

LUBRICATION

The blade oiler is a felt pad that presses lightly on the back of the shear blade.

1. Turn the dispenser off and unplug it.
2. Pull back gently on the blade oiler to move it away from the shear blade.
3. Keep the felt pad slightly moist by adding several drops of light machine oil at regular weekly or monthly intervals depending on use. Do not over oil. The oil will keep your shear blade lubricated for clean, fast cutting.
4. Gently push the oiler back into position next to the shear blade.
5. Plug the dispenser back in.

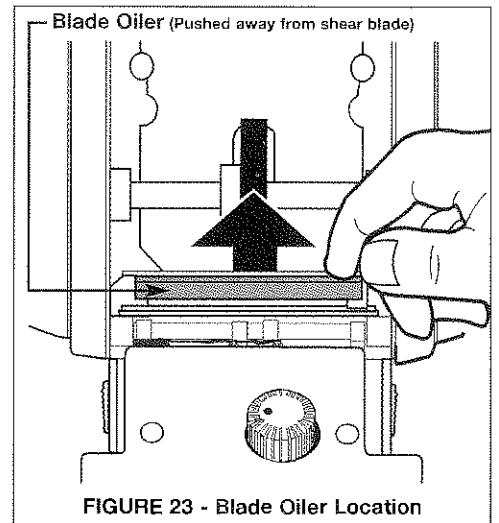


FIGURE 23 - Blade Oiler Location

NOTE: All other moving parts of the machine are permanently lubricated and SHOULD NOT BE LUBRICATED. Putting oil or grease on the oilite bearings clogs them up and makes them wear prematurely.



CAUTION: Do not oil the feed roller shaft

WARNING: DO NOT USE SPRAY LUBRICANTS, SPRAY CLEANER OR OTHER FLAMMABLE LIQUIDS, ON OR INSIDE THIS TAPE DISPENSER.

CLEANING

Inside the dispenser:

- Brush out paper dust
- Do Not use spray cleaners

Exterior surface of the dispenser:

- Use a mild soap and water
- No ammonia based cleaning agents or solvents

MODEL DESCRIPTIONS

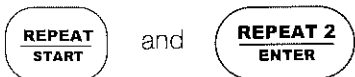
(See Page 27 for a complete listing of models)

The Better Packages Model 555 is available in four variations.

- **Standard** models are available with either long or short lengths on their keypads.
 - BP555eS Standard Short Length
 - BP555eL Standard Long Length
- **Automatic** models are also available with either long or short lengths on their keypads.
 - BP555eSA Automatic Short Length
 - BP555eLA Automatic Long Length

The difference between Automatic and Standard models is the capability for the Automatic models to dispense the next piece of tape automatically each time a piece is removed. A repeating pattern of up to three different lengths can be automatically dispensed with this feature. The lengths of these pieces can be standard keypad button lengths or lengths adjusted using the (X2), the (+) or (-) buttons.

Additionally, Automatic mode allows the preset of two lengths using both



TECHNICAL SPECIFICATIONS

Dispenser performance, capacities, dimensions, and weight are listed in the following table:

NOTE: Metric equivalents are shown in parentheses () following the English measurements.

CHARACTERISTIC	MEASUREMENT
Tape Width	1.5" – 3.0" (3.8 cm – 7.7 cm)
Maximum Tape Roll Diameter	10" (25 cm)
Tape Lengths Dispensed	Short Models (auto & std.) 6" to 45" (15 cm – 114 cm) Long Models (auto and std.) 12" to 90" (30 cm – 228cm)
Dispensing Speed	45 inches per second (114 cm per second)
Number of Brushes	3
Water Bottle Capacity	34 oz (1 liter)
Shipping Weight	32 lbs (15 kgs)
Dimensions (L x W x H)	20" x 12.5" x 12" (51cm x 32cm x 30cm)
Power Requirements	
555eS, eSA, eL, eLA	115V 60Hz, 4 Amps
555eM, eMA	230V 50/60Hz, 2 Amps
555eJ, eJA	100V 50/60Hz, 4 Amps

NOTE: Models produced for the Metric market may have keypads with different lengths than those shown in the above table.

PORT CONNECTIVITY

The 9-pin female connector at the rear of the dispenser is an Input/Output port (I/O) allowing the communication with optional devices such as the AMD-1, an Automatic Carton Measuring Device.

- On standard models, this I/O port is active for use with pedal foot switches or other similar devices which use the "contact closure" method of sending a signal.
- On automatic models, this I/O port also provides access to the dispenser's RS-232C serial data port. Pedal foot switches or other "contact closure" devices may still be used on automatic models.

CONNECTOR CONFIGURATIONS

Both standard and automatic models are equipped with 9-pin female D-type connectors.

Model	Length, Unit of Measure	Voltage	Country Continent Used
BP555e S	Short, Inch	115V 60Hz	US/Canada (1)
BP555e SA	Short, Inch	115V 60Hz	US/Canada (1)
BP555e L	Long, Inch	115V 60Hz	US/Canada (1)
BP555e LA	Long, Inch	115V 60Hz	US/Canada (1)
BP555e M	Metric	230V 50Hz	Europe (2)
BP555e MA	Metric	230V 50Hz	Europe (2)
BP555e J	Metric	100V 50/60 HZ	Japan (1)
BP555e JA	Metric	100V 50/60 HZ	Japan (1)
BP555e F	Short, Inch	230V 50 Hz	Far East (1)
BP555e FA	Short, Inch	230V 50Hz	Far East (1)

(1) Tape gummed side in, (2) Tape gummed side out

LIMITED WARRANTY

The manufacturer warrants each new Better Packages machine and accessory to be free from defects in material and workmanship under normal and proper use, its obligation under this warranty being limited to making good any defective parts within two years after delivery to the original purchaser.

The Company will replace any defective parts within warranty, on a no-charge basis. The Distributor will furnish for the first 6 months, without charge necessary labor, or instruct the customer's Maintenance Department in servicing the machine.

This warranty does not include motor brushes, water brushes or cutter blades that are replaced for normal usage unless proven to be defective.

For service (in or out of warranty), contact your local authorized Better Packages® Distributor. You can find out who the authorized distributor in your area is by calling:

(800) 237-9151

(US only, Not in Connecticut) or

(203) 926-3711

(In Connecticut or Outside of the US)

Also, Better Packages may be contacted as follows:

- FAX: (203) 926-3705
LETTER: 255 Canal Street, Shelton, CT 06484
WEBSITE: www.betterpackages.com

A

Adjusting the Roll Guides.....6

Adjustments

Adjusting the amount of water applied to the tape.....20

Adjusting the Roll Guides.....6

Automatic Model

Automatic Mode15

Selecting the tape length13

Standard Mode15

To activate Automatic Mode16

To repeat one tape length automatically.....16

To repeat the length previously dispensed15

To repeat three tape lengths automatically17

To repeat two tape lengths automatically16

Attaching the power cord10

B

Better Packages

Address28

Fax28

Phone28

Web Site28

C

Cartons, sealing

Adjusting the amount of water applied to the tape.....20

Advantages of water activated gummed tape18

Applying tape to the carton21

Choosing the best tape for the application18

Choosing the correct tape length.....21

Different grades of sealing tape19

Identifying types of tape.....18

Proper tape moistening20

Selecting tape19

Setting the heater controls.....20

What you should know about

glue formulas19

Cautions (Front of manual)

Changing the fuse24

Checking the upper tape plate.....7

Cleaning

Cleaning - inside and out

Cleaning the shear blade23

Clearing jams23

Contacting Better Packages28

Customer Survey Form (Front of manual)

D-G

Fuse

Changing the fuse24

Gummed Tape

Advantages of water activated gummed tape18

H

Heater Controls

Adjusting the settings on the heater assembly11

Setting the heater controls.....23

I-J

Installing the bottle and water tank8

Jams, Clearing.....23

K-L

Loading the tape6

Lubrication.....25

M

Maintenance

Cleaning - inside and out

Cleaning the shear blade23

Clearing jams23

Changing the fuse24

Lubrication.....25

Washing the tank, brushes, and bottle.....22

Model descriptions26

Mounting to a work bench.....9

N-O

Operation

Adjusting the setting on the heater assembly.....11

Selecting the tape length (Automatic).....13

Selecting the tape length (Standard)11

To adjust the length of a number

button then double it14

To dispense a length of tape

twice the length of a number button14

To dispense a random length of tape.....13

To dispense a specific length of tape.....13

To dispense a tape longer than the amount

on the number button13

To dispense a tape shorter than the amount on the number button14

To repeat the length previously dispensed (Automatic)15

To repeat the length previously dispensed (Standard)15

Turning the system "ON"11

P

Port connectivity27

Power cord, attaching10

Prepare the unit for operation6

Proprietary Notice (Front of manual)

Publication Notice (Front of manual)

Q-R

Repeating Tape Lengths

AUTOMATIC MODEL

To repeat one tape length automatically16

To repeat the length previously dispensed15

To repeat three tape lengths automatically17

To repeat two tape lengths automatically16

STANDARD MODEL

To repeat the length previously dispensed15

Roll Guides

Adjusting the Roll Guides6

S

Sealing Cartons

Adjusting the amount of water applied to the tape20

Advantages of water activated gummed tape18

Applying tape to the carton21

Choosing the best tape for the application18

Choosing the correct tape length21

Different grades of sealing tape19

Identifying types of tape18

Proper tape moistening20

Selecting tape19

Setting the heater controls20

What you should know about glue formulas19

Service

Cleaning - inside and out

Cleaning the shear blade23

Clearing jams23

Changing the fuse24

Lubrication25

Washing the tank, brushes, and bottle22

Service Contact

Phone number28

Setup

Adjusting the Roll Guides6

Attaching the power cord10

Checking the contents5

Checking the upper tape plate7

Fill out the Warranty Card5

Installing the bottle and water tank8

Loading the tape6

Mounting to a work bench9

Prepare the unit for operation6

Unpacking the tape dispenser5

Shear Blades

Cleaning the shear blades23

Specifications

Model descriptions26

Port connectivity27

Technical specifications26

T

Tape

Adjusting the amount of water applied to the tape20

Advantages of water activated gummed tape18

Applying tape to the carton21

Choosing the best tape for the application18

Choosing the correct tape length21

Different grades of sealing tape19

Identifying types of tape18

Loading the tape6

Proper tape moistening20

Selecting tape19

Selecting the tape length (Automatic)13

Selecting the tape length (Standard)11

To adjust the length of a number button then double it14

To dispense a length of tape twice the length of a number button14

To dispense a random length of tape13

To dispense a specific length of tape13

To dispense a tape longer than the amount on the number button13

To dispense a tape shorter than the amount on the number button14

To repeat the length previously dispensed (Automatic)15

To repeat the length previously dispensed (Standard)15

Technical specifications26

U-V

Unpacking and Setup

Adjusting the Roll Guides6

Attaching the power cord10

Checking the contents5

Checking the upper tape plate7

Fill out the Warranty Card5

Installing the bottle and water tank8

Loading the tape6

Mounting to a work bench9

Prepare the unit for operation6

Unpacking the tape dispenser5

W-Z

Warranty Card

Fill out the Warranty Card5

Limited Warranty28

Water Bottle and Tank

Installing the bottle and water tank8

Web Site28

