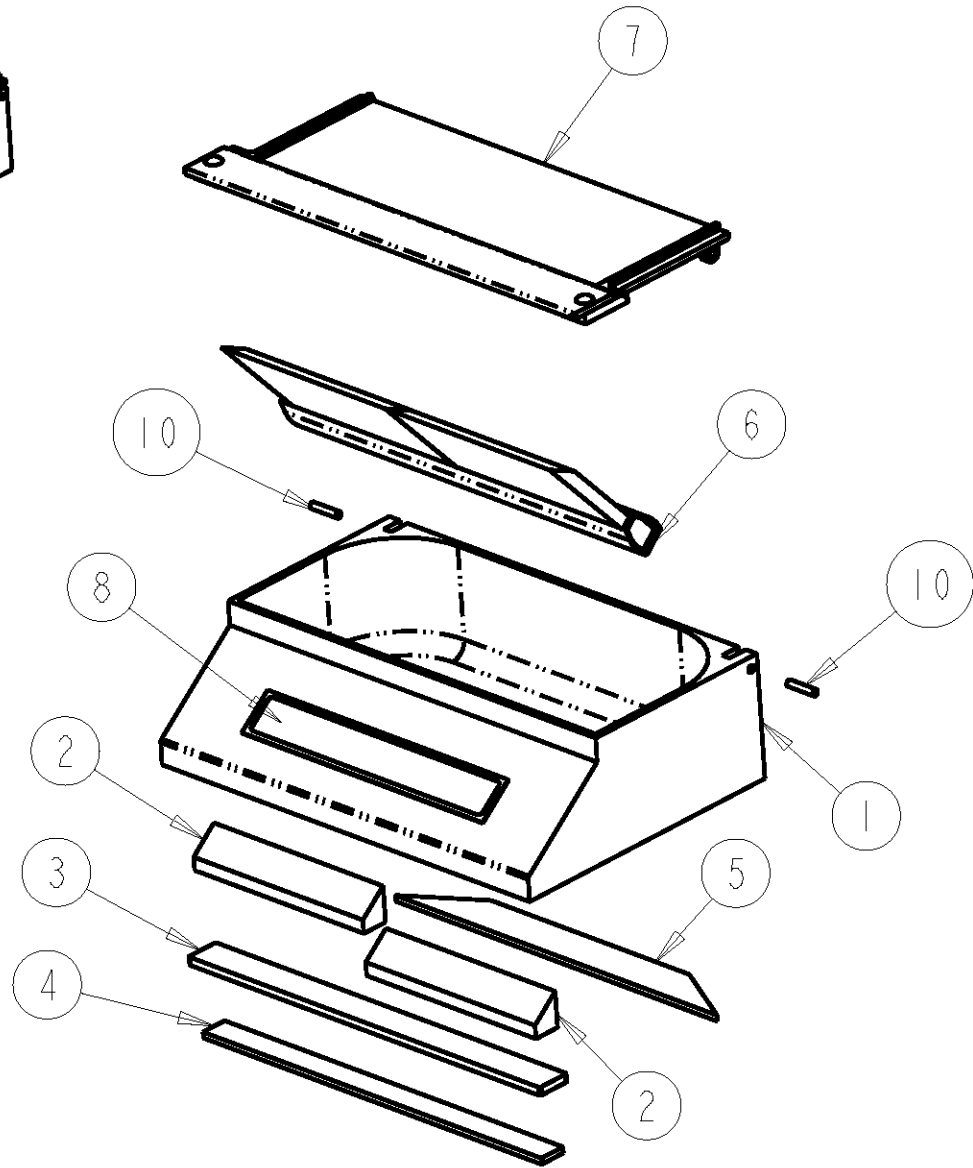
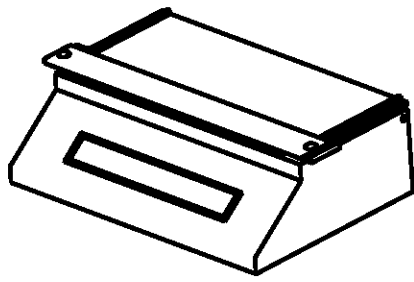




LABELOR KL-6 - *Label Moistener*
BETTER PACKAGES - SHELTON, CT.



10	2	ST-39	SPIROL PIN, 3/32 DIA x 1/2' LONG
9	1	022-016-1-S	CARTON, SINGLE BP6
8	1	900-407-0	LABEL, LABELOR BP6
7	1	016-615-1	ASSY, TOP COVER, BP6
6	1	L-61-X	BRUSH
5	1	016-611-0	FOOT PAD, REAR
4	1	016-612-0	FOOT PAD, FRONT
3	1	016-616-0	PANEL, FRONT PAD
2	2	016-610-0	WEIGHT, LABELOR, BP6
1	1	016-614-0	BASE, LABELOR, BP6
ITEM	QTY	PART NUMBER	DESCRIPTION