

PARTS LIST

**TAPESHOOTER 150 (Formerly CB33A)**

<u>ILLUS. NO.</u>	<u>QTY.</u>	<u>PART NO.</u>	<u>DESCRIPTION</u>
1.	1	0332011	Left Side Frame Assembly
2.	1	0332021	Right Side Frame Assembly
40.	1	0330571	Pressure Plate Assembly
3.	2	TS37	Brush
4.	1	6000121	Water Tank
5.	2	0140190	Pressure Plate Stud
6.	2	0330580	Bridge Plate Stud
7.	1	6000560	Bridge Plate
4,5,6,7.	1	6000123	Water Tank Assembly 4"
8.	1	0330500	Tape Weight Assembly
9.	2	0330420	Spring Adjusting Link
10.	1	0332310	Operating Lever Return Spring
11.	1	0332341	Return Spring Chain Assembly
9,10	1	0332311	Operating Lever Return Spring Assembly
12.	1	6000380	Yoke Pivot Shaft
13.	2	6000700	Pivot Shaft Bushing
14.	2	6000430	Nylon Bushing
14,15.	1	0332221	Cutter Yoke Assembly with Bushings
16.	6	0235710	Retaining Ring
17.	1	0332070	Yoke Return Spring
18.	1	0260382	Upper Blade Assembly
20.	1	0330080	Lower Tape Plate
21.	4	0231520	Screw
22.	1	0260910	Lower Blade
23.	1	6001080	Lower Blade Yoke
21,22,23.	1	6001081	Lower Blade Assembly
24.	1	6001070	Blade Torsion Spring
25.	2	0235050	Retaining Ring
26.	1	6000250	Lower Blade Pivot Shaft
27.	3	0235190	Roll Pin
28.	2	0010180	Anchor Block
29.	1	0332350	Main Shaft
27,65,29.	1	0332351	Main Shaft & Hub Assembly
27,29,65,68.	1	0332352	Main Shaft & Clutch Assembly
63,64,66.	1	6001290	Brush Guide
19.	1		

-----

TAPESHOOTER 150 (Formerly CB33A)

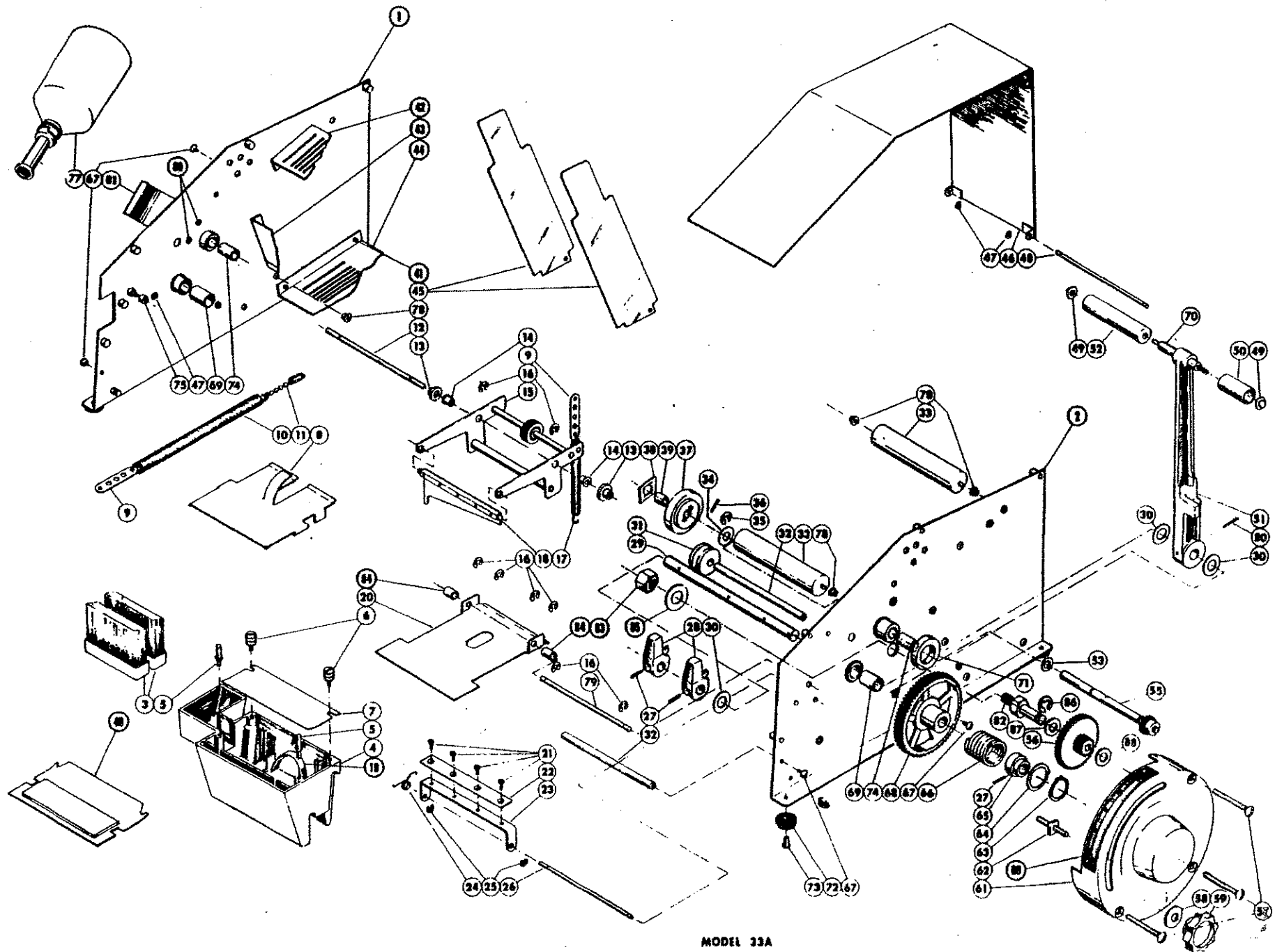
ILLUS. NO.	QTY.	PART NO.	DESCRIPTION
30.	3	K35A	Washer 1/64
31.	1	0010500	Wood Spool
32.	2	0332060	Tie Rod
33.	2	6000151	Tape Support Assembly
34.	1	0235400	Washer
35.	1	FM101	Retaining Ring
36.	1	0235720	Roll Pin
37.	1	6000092	Lower Feed Wheel
38.	1	0237430	Push-on Fastener
39.	1	0332080	Feed Wheel Bushing
45.	2	0333100	Roll Guide
46.	1	0332101	Main Cover Assembly
47.	3	0233760	Retaining Ring
48.	1	0332140	Cover Pivot Shaft
51, 52, 50,			
49, 70.	1	0332151	Operating Lever Assembly
49.	2	0236670	Push Nut
50.	1	0332600	Wood Grip - Short
52.	1	0332590	Wood Grip - Long
51.	1	0332150	Operating Lever
41.	12	0235990	Pop Rivet
42.	1	0330050	Top Separator
53.	1	K35B	Washer 1/32
55.	1	0332361	Lower Feed Shaft Assembly
56.	1	0070510	Compound Gear
57.	3	0235900	Gear Cover Mounting Screw
58.	1	0232370	Feed Stop Washer
59.	1	0098000	Feed Stop Knob
60.	1	0330450	Measuring Scale
61.	1	0330180	Gear Cover
62.	1	0330410	Feed Stop Screw
63.	1	0235170	Retaining Ring
64.	1	0071120	Shaft Washer
65.	1	0071090	Shaft Clutch Hub
66.	1	0071100	Clutch Spring
68.	1	0070422	Main Gear & Hub Assembly
69.	2	0232190	Compo Bushing
70.	1	0332300	Shaft
71.	1	0332440	Tygon Bumper
72.	4	A47	Rubber Foot
73.	4	PW17	Rivet
74.	2	0231290	Compo Bushing
75.	1	0234640	Bushing

TAPESHOOTER 150 (Formerly CB33A)

ILLUS. NO.	QTY.	PART NO.	DESCRIPTION
77.	1	K100L	Plastic Water Bottle
67.	4	0231420	#10 Machine Screw
78.	4	6000220	Wood Roll Bushing
79.	1	6000460	Tape Guide Shaft
80.	1	K50CR	Roll Pin
81.	1	0330510	Bottle Bracket
82.	1	0330060	Gear Stud
83.	1	K417	Hex Nut
84.	2	0332040	Tygon Bumper
85.	1	0231440	Washer
86.	1	0232550	Retaining Ring
87.	1	SX49B	Washer
88.	1	0232080	Washer
	1	0235710	1/4" Retaining Ring
	1	0235050	3/16" Retaining Ring
	1	FM101	3/8" Retaining Ring
	1	0233760	5/32" Retaining Ring
89.	2	0235990	Pop Rivet
43.	1	0330040	Center Separator
44.	1	0330030	Bottom Separator

OPTIONAL ACCESSORY

H533 Top Surface Heater



MODEL 33A