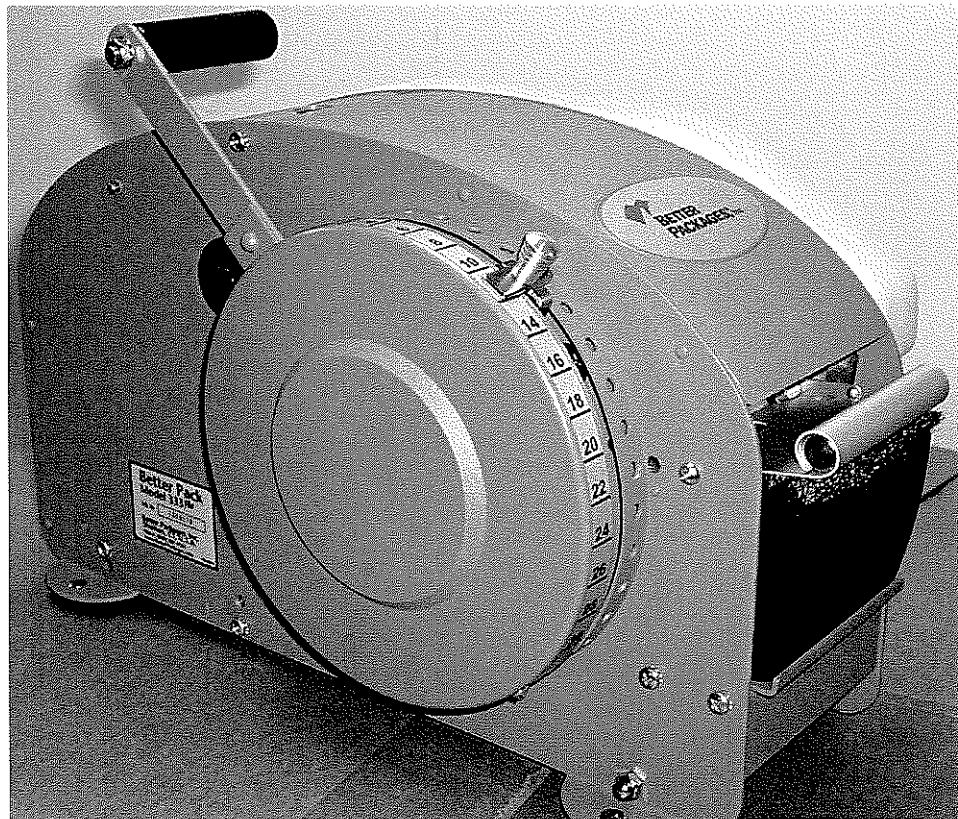




Operators Manual

Better Pack® 333 *Plus*



Better Packages, Inc.
P.O. Box 711
Shelton, CT
06484
www.betterpackages.com

I. Unpacking Notes

After removing the machine from the carton, check the following items before discarding the shipping carton and packing materials.

1. Brush Tank and 2 Moistening Brushes.
2. Plastic Water Bottle.
3. The Upper Tape Plate (**see figure #1**). This is held in position by packing material. Remove tape, etc. before using machine.

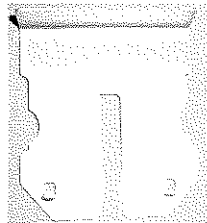


Figure # 1

II. Installation and Setup Instructions

1. If the upper tape plate has been dislodged in shipping, replace as follows:

With the slot towards the front of the machine, slide under feed wheel shaft from rear until the cut-out portions are over the retaining 'buttons'. Allow the plate to slide in place so that the front end of the plate is under the rod and the rear portion is under the 'buttons' (**see figure # 2**).

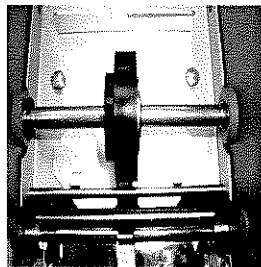


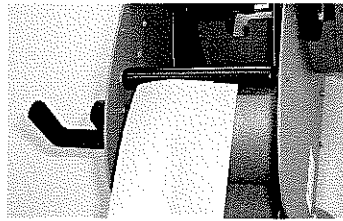
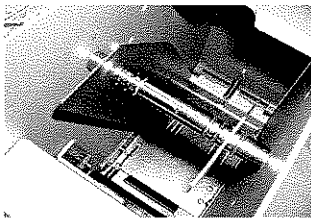
Figure # 2

2. Wash out the moistening brushes in soap or mild detergent and place in the tank so the angle on the brushes slopes towards the rear of the tank (**see figure # 3**). Insert the tank into the opening in front of the machine being sure the tank is behind the upward lip on the tank shelf.



Figure # 3

3. Fill bottle with water and place in bottle holder so that the spout of the bottle is in the tank. Set correct water level.
4. Adjust roll guide to proper width for tape.
5. Loading tape: Take the roll of tape and peel off about 8-10 inches. Place the roll of tape in the basket so that the strip of tape unwinds off the rear of the roll as the leading end is brought toward the front of the machine with the adhesive side down. Thread tape over the black roller at the upper rear and slide leading edge forward under upper tape plate and feed wheel. Close front and rear cover (see figure # 4A & 4B).



Figures # 4A & 4B

III. Adjustments

1. For Tape Width

The adjustable roll guides in the tape basket should be properly set for the width of tape being dispensed. The roll of tape should be centered between the frames by confining the tape loosely between the roll guides which engage in slots in the basket and roll guide separator.

To set the roll guides in position, lift them out of the slots in the basket and tie rod. Slide to the desired position and drop into the slots in the basket and tie rod (see figure # 5).

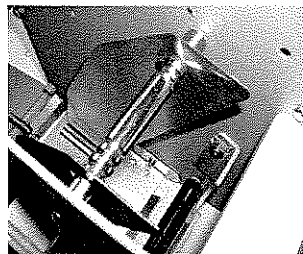


Figure # 5

2. Water Level Adjustments

The amount of water required for proper moistening of different grades and types of tape will differ. Heavier glues or reinforced tapes will normally require a higher water level.

Water level is controlled by water level adjustment screw located in the projecting portion of the water tank (see figure # 6).

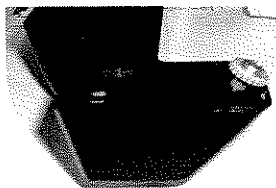


Figure # 6

Water Adjustment Screw

To raise the water level, turn the screw out in the counter clockwise direction. To decrease the water level, turn the screw in the opposite direction.

3. Repeat Length Stop

Repeat lengths: The Better Pack® 333 *Plus* is equipped with a feed stop. To set for desired length, pull the feedstop knob towards yourself until the pin disengages the hole in the drum skirt. Then slide the feed stop assembly until the length desired is set on the scale just above the feed stop assembly. Release the knob, being sure the pin on the feed stop engages with the proper hole in the skirt (**see figure # 7**).

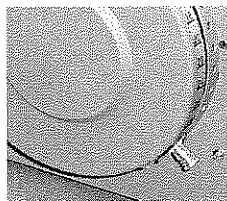


Figure # 7

4. Spring Tension Adjustment

Both operating springs can be seen by turning the Better Pack® 333 *Plus* upside down after first removing the water tank and bottle (**see figure # 8**).

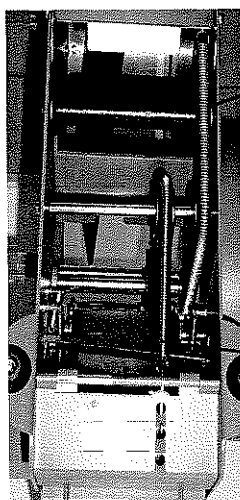


Figure # 8

- A. The handle return spring (A) is the long spring terminating in a hook type clip positioned in one of three holes underneath the water tank platform. The other end is attached to the hammer-cam on the crankshaft.
- B. The feed wheel tension spring (B) has one end attached to the rocker carrying the shear blade and the opposite end attached to a hook positioned in one of several holes in the basket. Care should be taken not to interchange the two springs. The feed wheel tension spring (B) is the longer of the two springs. It is also made from heavier wire.
- C. Adjustments of the handle spring (A), to increase tension on the handle return for faster handle return or for cutting extremely short lengths, insert the hook on the spring clip in the second or third hole.
- D. Should it ever become necessary to increase the feed wheel tension to compensate for feed wheel wear, unhook the spring at the basket and move it to the hole nearer the rear of the machine. For lighter tension, move the spring nearer the front of the machine.
- E. Note that both the above springs act together and that increasing tension on the feed wheel tension spring may make necessary additional adjustments of the handle return spring especially if it is desired to cut extremely short lengths of tape.

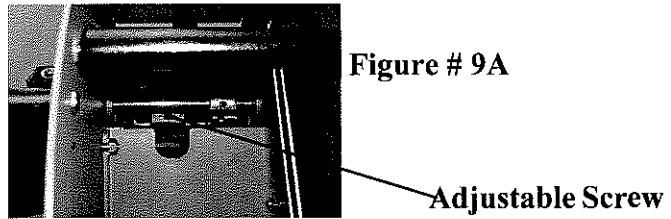
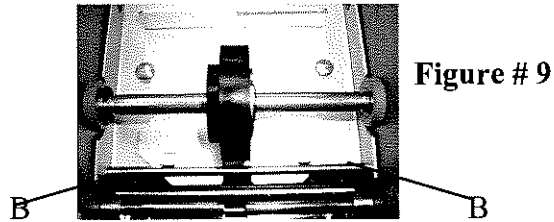
5. **Blade Adjustments (See figure # 9)**

This adjustment is made at the factory and it should not be necessary to change it unless difficulty is encountered in cutting certain tapes.

Lift the front cover and look directly down on the moving and stationary shear blades. When the operating crank is back against its 'stop', the two shear blades should only be contacting one another on the right side, point A. There should be a gap between the blades at the left side, point B, and the gap should decrease in width until the point of contact is reached on the right side. Ordinarily this gap is about 1/32 of an inch on the left side. At no time should the shear blades be parallel.

If it becomes necessary to readjust the shear blades , proceed as follows:

- A. Locate the shear adjusting screw on the right side of the machine just in back of the tank (this screw has a washer under it).(See figure # 9A)
- B. Loosen the screw only slightly so it can be slid up or down.
- C. If it is desired to increase the gap, slide the adjusting screw upward. To decrease the gap, slide the screw downward.
- D. Retighten the screw securely and try dispensing tape. If adjustment is correctly made, tape should be cut easily and cleanly.



6. **Crank Handle**

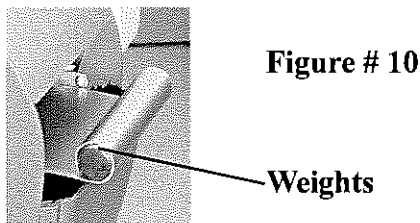
If desired, the 'handle grip' can be attached from the left or right side of crank.

7. **Pressure Plate Weights (See figure # 10)**

The pressure plate, which rests on top of the brushes has removable weight. The number of weights can be varied to suit the tape being dispensed. Heavyweight tapes require more weight inserts than lighter tapes. The suggested number of weights is as follows:

35 lb. kraft tape:	0 to 1 slug
60 lb. kraft tape:	1 to 2 slugs
Reinforced tape:	2 to 3 slugs

The weights can be added or removed by pushing them in or out from each side. If the machine consistently jams, there is too much weight on the pressure plate and some should be removed.



8. **To Clean Blade**

Where reinforced tapes are used, it may be necessary to clean accumulation of laminate from the cutting blade from time to time. The blade on the Better Pack® 333 **Plus** has been especially accessible for this purpose. To clean the blade, follow these simple steps:

- A. Remove water bottle and water tank assemblies.
- B. Depress rocker stop rod protruding from the right side of the machine with right hand and keep it in this position until the blade (blade assy.) has been released (**see figure # 11**).
- C. Reach inside the machine where tank was removed, pull knife assembly down and swing out to cleaning position (**see figure 12**).

- D. To clean blade, wipe off with suitable solvent. **DO NO SCRAPE WITH HARD OBJECTS** as resulting scratches will cause a quick accumulation of adhesive. When adhesive is removed, wipe with lightly oiled cloth.
- E. Reinsert the blade to cutting position by depressing rocker rod. Tip the blade up into cutting position and push upward so the blade will come between the stationary blade and guide rollers. Release rocker stop rod.
- F. Try feeding and cutting tape to check if parts are in proper position.
- G. Instal tank and water bottle.

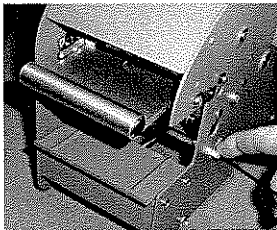


Figure # 11

Rocker Stop

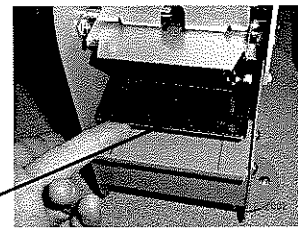


Figure # 12

Knife Assy

IV. Maintenance

The best way to secure long & carefree service from your Better Pack® 333 **Plus** is to KEEP IT CLEAN. Tape dust, adhesive accumulation and other foreign matters are harmful as they get into the working parts of the machine. Likewise, be sure to wash the brushes out thoroughly at least once a week to insure perfect moistening, being careful to replace them with the lower bevel to the back of the tank.

Rotating parts of the Better Pack® 333 **Plus** are equipped with the finest of oil-less bearings and require no lubrication. However, all other working parts should occasionally receive a few drops of oil. The gear mechanism (underneath the gear cover on the left side of machine) is packed in Gredag # 53 Grease and will not require lubrication more than once or twice a year.

Thank you for your purchase and we know you will enjoy the performance of your new Better Pack® 333**Plus**.

Please return your warranty card to: Better Packages, Inc.
 P.O. Box 711
 Shelton, CT 06484
 (800) 237-9151 U.S. Only
 (203) 926-3711 Connecticut or outside the U.S.
 www.betterpackages.com

Important Warranty Information

Limited Warranty

The manufacturer warrants each new Better Packages machine and accessory to be free from defects in material and workmanship under normal and proper use, its obligation under this warranty being limited to making good any defective parts within one year and labor for 90 days after delivery to the original purchaser.

The company will replace any defective parts within warranty, on a no-charge basis. The distributor will furnish for the first 90 days, without charge necessary labor, or instruct the customer's maintenance department in servicing the machine.

For service under this warranty call or write your nearest Better Packages distributor or Better Packages, Inc. Shelton, CT at (800) 237-9151. **(Transportation charges on machines or parts returned for service or purchase should be prepaid).**

June, 2004

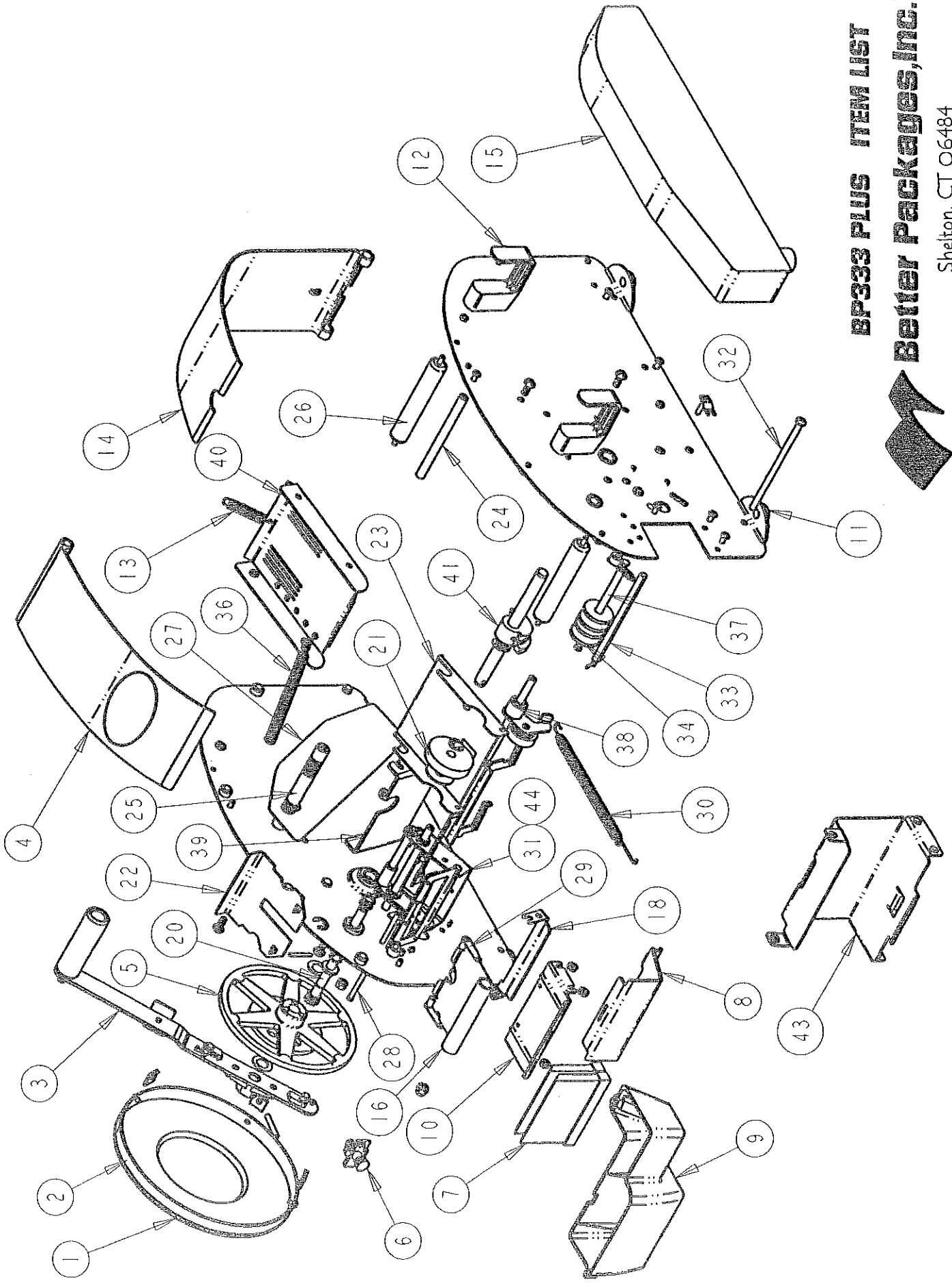
BP333 Plus**PARTS LIST**

June, 2004

	Part Number	Description	List Price
1	FM80	DRUM	16.89
2	FM79	SCALE NAMEPLATE	2.37
3	FM41FX	CRANK/PAWL/HNDL SUB ASSY	61.29
4	FM4	COVER	16.02
5	GE79X	DISC/GEAR SUB ASSY	44.34
6	FM110XX	ST.PLATE/SPRING SUB ASSY	15.86
7	PW107AK	BRUSH KIT	27.45
8	FM3GLD	LOWER FRONT COVER, GOLD 333	14.78
9	FM6AX	TANK ASSY	28.84
10	FM40GLD	TANK SHELF, GOLD 333	11.23
11	A47	RUBBER FOOT	1.08
12	FF612P	BOTTLE BRACKET	4.74
13	FM64	SPRING	1.65
14	FM5	COVER	33.63
15	FF6100	WATER BOTTLE 46OZ	10.40
16	TS3300601	PRESSURE PLATE W/WEIGHTS	10.00
17	FM20BXK	BLADE KIT	40.38
18	FM130JX	PLATE	9.48
19			
20	FM49X	SHAFT PINION SUB ASSY	13.85
21	E55506500	VIBRATHANE FEED WHEEL	17.82
22	FM12EL	UPPER TAPE PLATE	6.90
23	FM11JX	LOWER TAPE PLATE ASSY	12.12
24	FM117	TIE ROD	4.17
25	FM56	TIE ROD SLOTTED	6.39
26	FM59X	TAPE ROLLER ASSY	4.53
27	FM300	ROLL GUIDE	8.24
28	FM115	SPIRAL PIN	0.77
29	FM126J	J PLATE	9.30
30	FM48AX	SPRING HOOK SUB ASSY	4.58
31	FM26XXX	ROCKER SUB ASSY	46.30
32	FM61	TIE SCREW	1.75
33	FM108X	ROCKER STOP BAR SUB ASSY	6.49
34	0010500	WOOD SPOOL	4.27
35			
36	FM33AX	SPRING HOOK SUB ASSY	5.15
37	FM67	PULLEY SHAFT	2.01
38	FM39XXX	IDLER SHAFT SUB ASSY	25.39
39	FM58P	VERTICAL TIE PLATE	7.36
40	FM57	BASKET	12.98
41	FM46X	SHAFT CAM ASSY.	20.22
42	0235190	ROLL PIN, 3/16 X 1	0.77
		E-Z Machine Parts	
43	TS3303201	Safety Baffle	
44	FM26XXXEZ	Rocker Blade w/Tab-Cutter Sub Assembly	
45	FM305K	Tab Cutter Shear Blade Kit	

Part Number	Description	List Price
Hardware for BP333Plus		
Part Number	Description	List Price
1/16 X 3/8	COTTER PIN	0.52
1218	LOCKWASHER 5/16	0.77
APS76	GROOV PIN 1/8 X 5/16	1.03
BM172	SCREW-SOCKET SET, CUP POINT	0.77
BS40	WASHER, #8 FLAT .062THICK	1.03
CBP333C	CARTON FOR BP333	6.48
EA49P	Pin, Feedwheel	
FM100	NUT TINNEMAN	1.03
FM101	RETAINING RING	1.03
FM105	SCREW 3/8 X 1/4-20 PHIL	0.77
FM120J	PRESS. PLATE	15.19
FM14	WASHER, .193 X 7/16	0.77
FM15	SUPPORT ROD	2.94
FM51	WASHER	0.77
FM73	SCREW 10-32 X 3/4 OVAL	1.29
FM8	COVER BUMPER	1.65
FM94	RETAINING RING	1.03
FM96	SCREW, 10-32 X 1/2 RD PHI	0.77
FM98	RING	1.03
FM99	SCREW, 10-24 X 3/8 PHIL	0.77
K242AB	NUT, LOCK 12-24	1.03
K35A 1/32	WASHER 1/32	0.77
K35A 1/64	WASHER	0.77
K35B 1/32	WASHER	0.77
K35B 1/64	WASHER 1/64	0.77
K50CR	PIN, ROLL 3/16 X 1-1/4	1.03
ST2890	Keps Nut #10-24	
ST2882	Keps Nut #1/4-20	
ST2528	Washer	
ST1949	Screw 10-24	
SX49A	WASHER .32 X 9/16 X 1/32	1.03
SX49B	T7XWASHER, 9/16 X 1/64	1.03
TO256	SCREW, 1/4-20X1/2 PAN HD, PHIL.	0.77
TS330A	PIVOT STUD	2.01
TW24EB	WEIGHTS	1.91
WK2	RET. RING	1.03
WK21BS	RETAINING RING	1.03

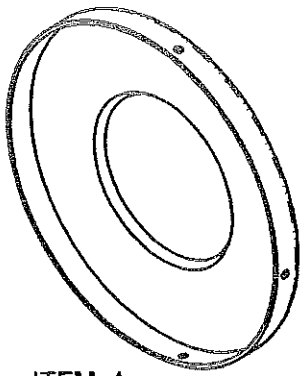
Exl: BP333 Plus Technical Parts List June 2004



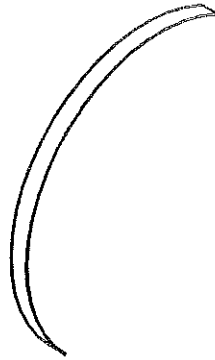
BP333 PLUS ITEM LIST
Better Packages, Inc.®



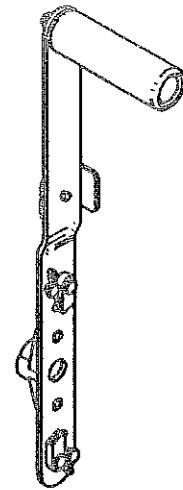
Shelton, CT 06484



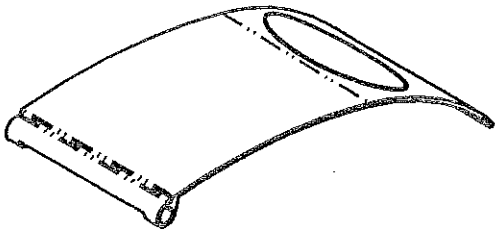
ITEM 1
FM-80 - DRUM



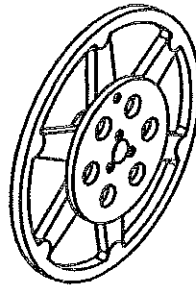
ITEM 2
FM-79 - SCALE NAMEPLATE



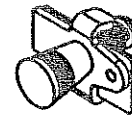
ITEM 3
FM-41-FX
ASSY, CRANK/PAWL/HANDLE



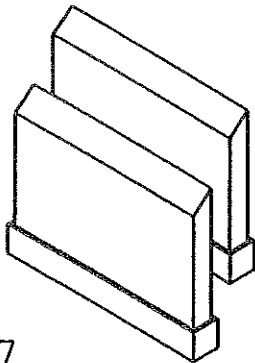
ITEM 4
FM-4 - COVER



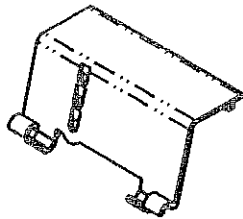
ITEM 5
GE-79-X - ASSY, DRIVE GEAR



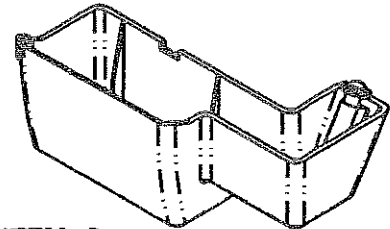
ITEM 6
FM-110-XX
FEED STOP ASSY



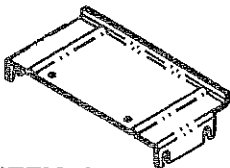
ITEM 7
PW-107A-K - BRUSH KIT



ITEM 8
FM-3 - LOWER FRONT COVER



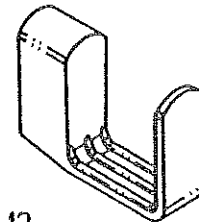
ITEM 9
FM-6-AX - TANK ASSY



ITEM 10
FM-40 - TANK SHELF



ITEM 11
A-47 - RUBBER FOOT



ITEM 12
FF-612-P - BOTTLE BRACKET



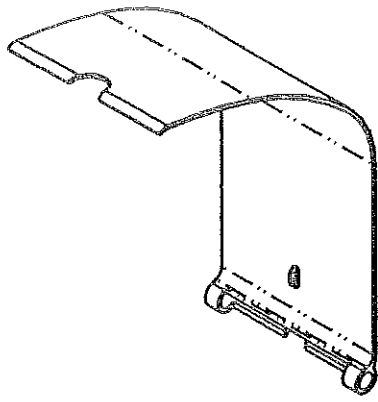
ITEM 13
FM-64 - SPRING

BP333 PLUS ITEM LIST

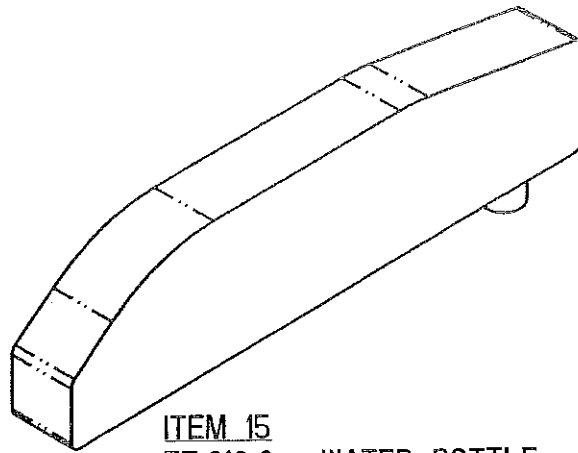


Better Packages, Inc.®

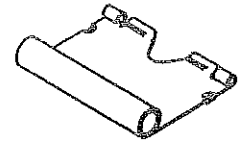
Shelton, CT 06484



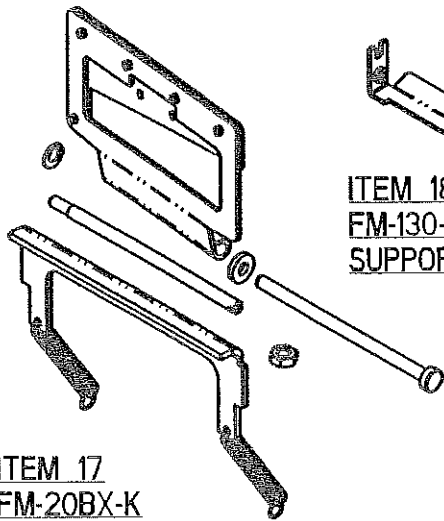
ITEM 14
FM-5 - COVER



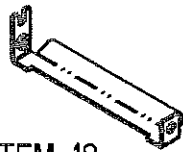
ITEM 15
FF-610-0 - WATER BOTTLE



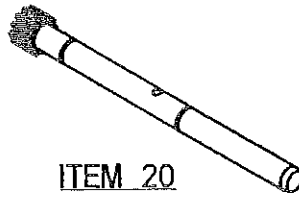
ITEM 16
TS33-006-01
PRESSURE PLATE ASSY



ITEM 17
FM-20BX-K
BLADE KIT



ITEM 18
FM-130-JX
SUPPORT BRACKET



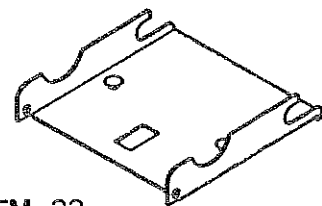
ITEM 20
FM-49-X
SHAFT PINION SUB-ASSY



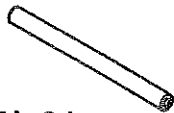
ITEM 21
E555-065-00
URETHANE FEEDWHEEL



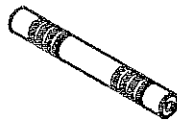
ITEM 22
FM-12-EL - UPPER TAPE PLATE



ITEM 23
FM-11JX - LOWER TAPE PLATE



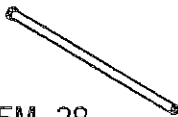
ITEM 24
FM-117 - TIE ROD



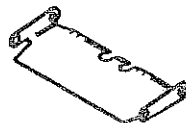
ITEM 25
FM-56 - TIE ROD SLOTTED



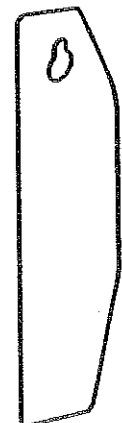
ITEM 26
FM-59-X
TAPE ROLLER ASSY



ITEM 28
FM-15 - SUPPORT ROD



ITEM 29
FM-126J - JPLATE



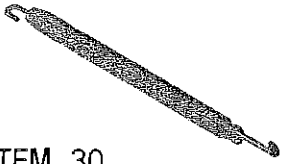
ITEM 27
FM-300 - ROLL GUIDE

BP333 PLUS ITEM LIST

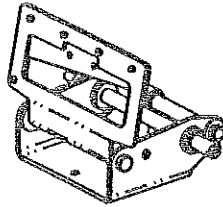


Better Packages, Inc.®

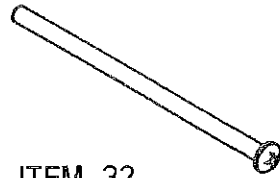
Shelton, CT 06484



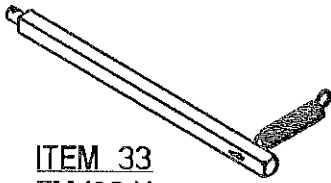
ITEM 30
FM-48-AX
SPRING HOOK SUB-ASSY



ITEM 31
FM-26-XXX - ROCKER SUB-ASSY



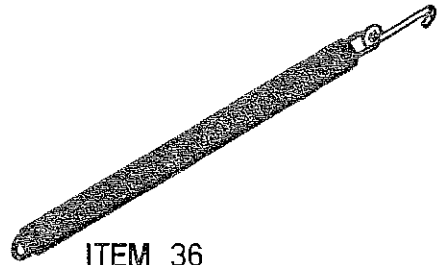
ITEM 32
FM-61 - TIE SCREW



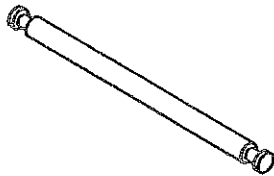
ITEM 33
FM-108-X
ROCKER STOP BAR ASSY



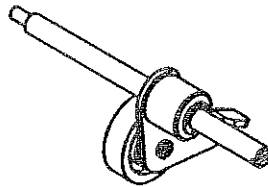
ITEM 34
0010500 - WOOD SPOOL



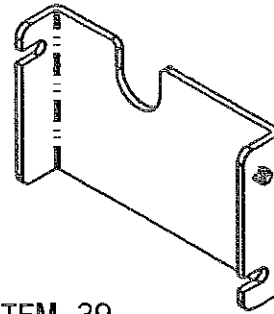
ITEM 36
FM-33-AX
SPRING HOOK ASSY



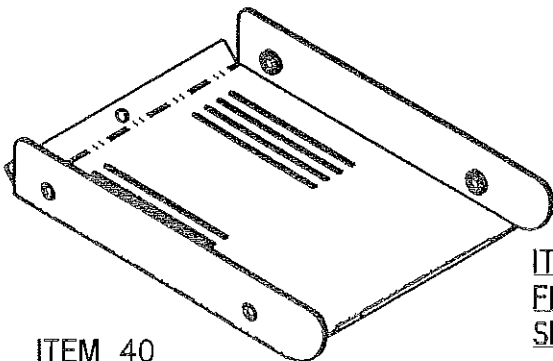
ITEM 37
FM-67 - PULLEY SHAFT



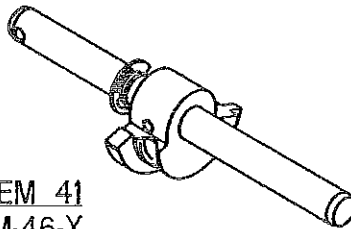
ITEM 38
FM-39-XXX
IDLER SHAFT SUB-ASSY



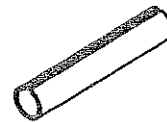
ITEM 39
FM-58P - VERTICAL TIE PLATE



ITEM 40
FM-57X - BASKET



ITEM 41
FM-46-X
SHAFT CAM ASSY



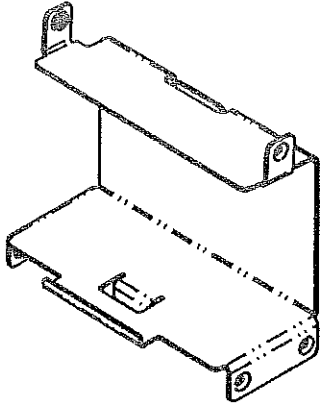
ITEM 42
0235190 - ROLL PIN 3/16 x 1"

BP333 PLUS ITEM LIST

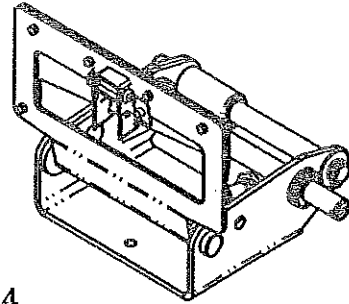


Better Packages, Inc.®

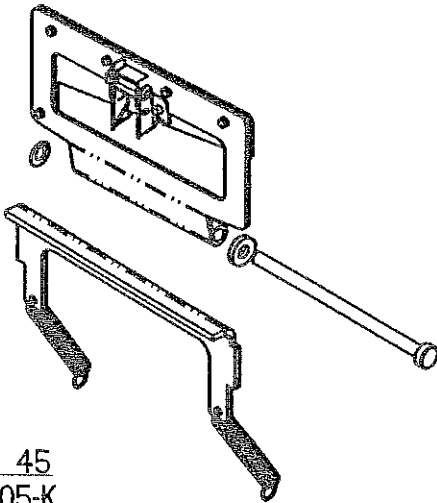
Shelton, CT 06484



ITEM 43
TS33-032-01 - SAFETY BAFFLE
(6 PIECES OF ST-1949, SCREW-#10-24 x 3/8" LG)



ITEM 44
FM-26-XXX-EZ
ROCKER BLADE W/TAB CUTTER SUB-ASSY



ITEM 45
FM-305-K
TAB CUTTER SHEAR BLADE KIT

**BP333 PLUS ITEM LIST
TAB CUTTER OPTION**



Better Packages, Inc.®

Shelton, CT 06484